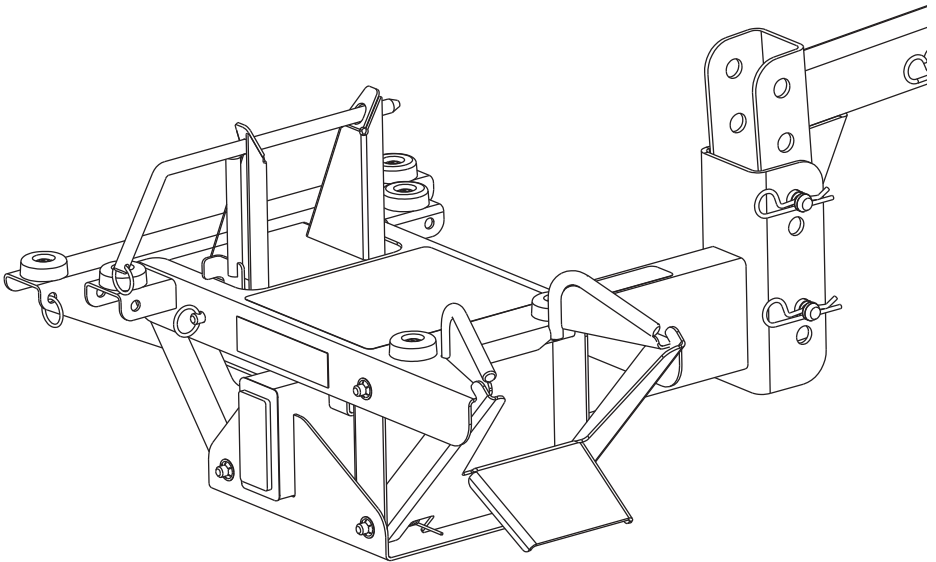


OPERATOR'S  
SAFETY MANUAL

ReechCraft®  
***PowerLIFT™***  
***Hitch Hauler***



ReechCraft  
**PowerLIFT**  
**Hitch Hauler**

**It is very important that you read, understand and obey the contents of this manual! Keep it easily accessible for reference at all times.**

The purpose of this manual is to provide safe and proper operating procedures for anyone utilizing the benefits of the Hitch Hauler.

Because we at ReechCraft, Inc. are always working to improve our products, processes and procedures, we reserve the right to make changes without prior notice. Please contact us at ReechCraft for updated information.

## **SAFETY ALERT SYMBOLS AND SAFETY SIGNAL WORDS**



This is the Safety Alert Symbol. It is used throughout this manual and on the machine to alert you to potential personal injury hazards. Understand and obey all safety messages that correspond with this symbol to avoid possible injury or death.



**INDICATES AN IMMINENTLY HAZARDOUS SITUATION AND IF NOT AVOIDED WILL RESULT IN SERIOUS INJURY OR DEATH. THIS DECAL WILL HAVE A RED BACKGROUND.**



**INDICATES A POTENTIALLY HAZARDOUS SITUATION. IF NOT AVOIDED, COULD RESULT IN SERIOUS INJURY OR DEATH. THIS DECAL WILL HAVE AN ORANGE BACKGROUND.**

**THIS PRODUCT MUST COMPLY WITH ALL SAFETY RELATED BULLETINS. CONTACT ReechCraft, INC. OR THE LOCAL AUTHORIZED ReechCraft REPRESENTATIVE FOR INFORMATION REGARDING SAFETY RELATED BULLETINS WHICH MAY HAVE BEEN ISSUED FOR THIS PRODUCT.**

 **CAUTION**

INDICATES A POTENTIALLY HAZARDOUS SITUATION THAT IF NOT AVOIDED, **MAY** RESULT IN MINOR OR MODERATE INJURY. IT MAY ALSO ALERT AGAINST UNSAFE PRACTICES. THIS DECAL WILL HAVE A YELLOW BACKGROUND.

**NOTICE**

ReechCraft, INC. SENDS SAFETY RELATED BULLETINS TO THE OWNER OF RECORD OF THIS MACHINE. CONTACT ReechCraft TO ENSURE THAT THE CURRENT OWNER RECORDS ARE UPDATED AND ACCURATE.

ReechCraft **MUST** BE NOTIFIED IMMEDIATELY IN ALL INSTANCES WHERE OUR PRODUCTS HAVE BEEN INVOLVED IN AN ACCIDENT INVOLVING BODILY INJURY OR DEATH OF PERSONNEL OR WHERE SUBSTANTIAL PERSONAL PROPERTY DAMAGE OR DAMAGE TO THE ReechCraft PRODUCT HAS OCCURRED.

**FOR:**

- Accident Reporting
- Product Safety Publications
- Current Owner Updates
- Product Safety Questions
- Standards and Regulations Compliance Information
- Questions Regarding Special Applications
- Questions Regarding Product Modifications

**CONTACT:**

Technical Safety and Engineering Department  
845 34th St N  
Fargo, ND 58102

**In USA**

Toll Free: 888-600-6160  
E-mail: [info@reechcraft.com](mailto:info@reechcraft.com)

**Outside USA**

Phone: 701-280-5900

# REVISION LOG

Original issue of Manual.....May 11, 2012

## TABLE OF CONTENTS

### SECTION - INFORMATIONAL

FOREWORD.....	2
SAFETY ALERT SYMBOLS AND SAFETY WORDS .....	2-3
CONTACT .....	3
REVISION LOG .....	4

### SECTION - 1 - SAFETY PRECAUTIONS..... 6

1.1 GENERAL.....	6
1.2 PRE-USE .....	6
User Preparedness .....	6
Transport Vehicle Inspection .....	7
Hitch Hauler Inspection .....	7
1.3 USER GUIDELINES.....	8
General .....	8
Fall Hazard.....	8
Lifting Instructions.....	9
Tipping Hazards.....	10
Crushing and Collision Hazards .....	10
Additional Safety Information .....	11

### SECTION - 2 - PREPARATION AND INSPECTION ..... 12

2.1 PERSONNEL REQUIREMENTS .....	12
User Requirements.....	12
User Responsibilities.....	12
2.2 PREPARATION, INSPECTION AND MAINTENANCE .....	13
2.3 PRE-USE INSPECTION .....	14
Pre-Use Inspection.....	14
2.4 FUNCTION CHECK.....	18
Function Check Items .....	19

**SECTION - 3 - MACHINE OPERATION ..... 20**

3.1 GENERAL..... 20

3.2 MACHINE DESCRIPTION..... 20

3.3 MACHINE OPERATION ..... 22

    General ..... 22

3.4 SET-UP AND USE ..... 24

    Set-Up and Prepare for Loading..... 24

    Load the PowerLift..... 26

    Check Complete Installation ..... 28

    Unload the PowerLift..... 30

**SECTION - 4 - SERVICE AND MAINTENANCE..... 32**

4.1 MAINTENANCE SAFETY PRECAUTIONS ..... 32

    General ..... 32

    Maintenance Safety..... 33

4.2 PREPARATION, INSPECTION AND MAINTENANCE ..... 34

    General ..... 34

    Preparation, Inspection and Maintenance..... 34

    Pre-Use Inspection..... 34

    Frequent and Pre-Delivery Inspection..... 35

    Preventative Maintenance ..... 35

4.3 PREVENTATIVE MAINTENANCE AND INSPECTION SCHEDULE..... 36

    Inspection and Maintenance Codes..... 36

4.4 SERVICING AND MAINTENANCE GUIDELINES..... 38

    General ..... 38

    Safety and Workmanship ..... 38

    Cleanliness ..... 38

    Component Disassembly and Reassembly ..... 38

4.5 REPLACEMENT KITS ..... 40

4.6 DECAL REPLACEMENT ..... 42

# SECTION 1: SAFETY PRECAUTIONS

## 1.1 General

This manual is your guide for establishing habitual precautions for safe operation of the Hitch Hauler. This section is your guide in developing a daily routine that focuses on safety and proper maintenance of the Hitch Hauler prior to each use. A maintenance program must be established and conducted by a qualified person to ensure the Hitch Hauler is in safe working condition before it is used.

**Before using the Hitch Hauler, the user shall:**

1. Read, understand and obey the operating instructions and safety rules.
2. Obey all labels, warnings and instructions located on the Hitch Hauler.
3. Be sure that all operators of the Hitch Hauler wear appropriate personal protection equipment (PPE) for the conditions.

If there are any questions regarding safety, training, maintenance, inspection, application or operation of the machine, please contact ReechCraf.



**FAILURE TO COMPLY WITH THE SAFETY PRECAUTIONS LISTED IN THIS MANUAL COULD RESULT IN HITCH HAULER DAMAGE, PROPERTY DAMAGE, PERSONAL INJURY OR DEATH.**



Figure 1-1: Read your manual

## 1.2 Pre-Use

### User Preparedness

- Do not operate this Hitch Hauler until the operator has read and fully comprehends the Operator's Safety Manual of the Hitch Hauler.
- Only competent personnel may operate the Hitch Hauler.
- Read, fully comprehend and obey all DANGERS, WARNINGS, CAUTIONS and operating instructions on the Hitch Hauler and in this manual.
- Only use this Hitch Hauler in a manner which is within the scope of the intended application set by ReechCraft.

- All operators must read, comprehend and obey all applicable employer, local and governmental regulations as they pertain to the safe operation of the Hitch Hauler.

## Transport Vehicle Inspection

- The user is to take measures to identify and avoid all hazards that will affect the safe operation of the Hitch Hauler.
- Be sure the transport vehicle is capable of safely transporting the PowerLift.
- Be sure to inspect the vehicle receiver hitch. Make sure it is a 2" class 3 minimum vehicle receiver hitch and is installed properly, in good condition and capable of carrying the intended load.

## Hitch Hauler Inspection

- Before installing the Hitch Hauler on the vehicle, perform an inspection and function check. Refer to **Section 2** of this manual for further instructions.
- No one shall use the Hitch Hauler until it has been inspected, serviced and maintained according to the requirements in this manual.



### **MODIFICATION OR ALTERATION OF THE HITCH HAULER SHALL BE MADE ONLY WITH PRIOR WRITTEN PERMISSION FROM THE MANUFACTURER**

- Do not use any Hitch Hauler on which the safety decals or instruction placards are missing or illegible.
- Avoid any build up of debris on the components of the Hitch Hauler. Keep mud, oil, grease and other slippery substances from accumulating on the Hitch Hauler.

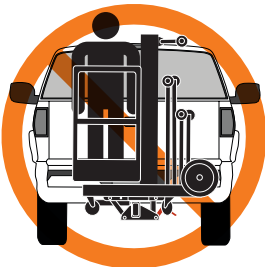
## 1.3 User Guidelines

### General

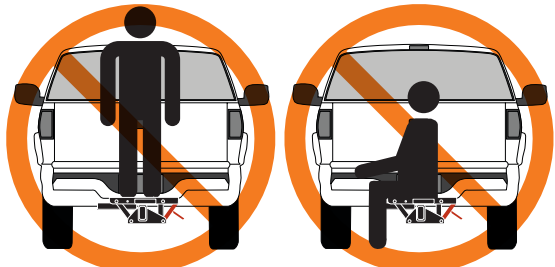
- Do not use the Hitch Hauler for any purpose other than to carry and transport a PowerLift.
- Never use a Hitch Hauler that is not working properly. If a malfunction occurs, remove the Hitch Hauler and contact ReechCraft.
- Be sure that all locking pins are present and in good condition before installing the Hitch Hauler.
- Do not transport tools, drills or other materials on the PowerLift platform.
- Be sure to fully lower the PowerLift platform before loading the PowerLift on the Hitch Hauler.
- Be sure the mast sections and outriggers of the PowerLift are in their properly stowed position before loading on the Hitch Hauler.
- Be sure all pins and fasteners are in place and secure before leaving the loaded PowerLift unattended.

### Fall Hazards

- Do not enter the PowerLift platform while it is loaded on the Hitch Hauler (**Figure 1-2**).
- Do not stand or sit on any part of the Hitch Hauler (**Figure 1-3**).
- Be sure to check that there are no rear obstructions that could cause the user to trip while unloading (curb, pothole, uneven pavement, etc).



**Figure 1-2:** Do not enter PowerLift platform while loaded on Hitch Hauler



**Figure 1-3:** Do not sit or stand on any part of Hitch Hauler



- Before loading or unloading the PowerLift, be sure the transport vehicle is parked on a surface that is level and free of slippery substances such as ice, wet leaves, loose gravel or any other substance that could cause the user to lose traction and fall (**Figure 1-4**).



**Figure 1-4:** Do not load or unload on uneven or slippery surfaces

## Lifting Instructions

The number of people required to load and unload the PowerLift on to the Hitch Hauler is dependent on a number of factors:

- The physical condition, strength, ability and prior injuries of the people involved.
- The stance, posture and grip used by the people involved.
- The lifting techniques used.
- The site conditions and weather on which the activity is being performed.
- The appropriate number of people, proper lifting techniques and must be used to prevent injury.

**Note:** If it is determined that the user is unable to safely load or unload the PowerLift from the Hitch Hauler in a safe manner and no additional help is available, the user should remove the appropriate number of components (mast sections, outriggers, platforms) to optimize the weight to better suit the operators physical ability

## Tipping Hazards

- Do not attempt to load or unload the PowerLift from the Hitch Hauler if the vehicle is on a slope or if the ground or pavement surface is uneven (**Figure 1-5**).
- Always maintain a firm, comfortable grip on the PowerLift during loading and unloading.
- Apply even lifting pressure when loading and even resistance when unloading the PowerLift.
- When unloading, be sure to maintain control of the PowerLift at all times.
- Be sure there is adequate space for both the user and the PowerLift when unloading.

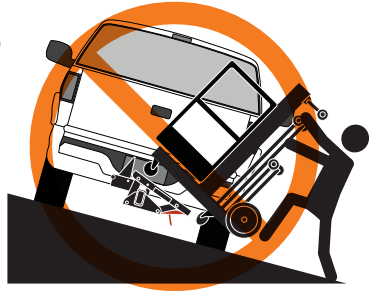


Figure 1-5: Tipping Hazard

## Crushing and Collision Hazards

- Be sure to determine that there is an adequate escape path for the user during the loading and unloading process (**Figure 1-6**).
- Check area clearances above, on sides and on bottom of platform when loading and unloading the PowerLift.
- Always check to be sure the PowerLift will clear any overhead obstacles during transport (parking garages, overhead doors, drive through awnings, etc.).
- Be sure the bearing surfaces of the Hitch Hauler are clear of any foreign debris before loading.



Figure 1-6: Tripping on a Pothole or Curb

## Additional Safety Information

- Do not use Hitch Hauler as a ground for welding.
- Do not attempt to load the PowerLift on to the Hitch Hauler with a forklift.
- Be sure there is adequate clearance between the castors and ground surface. Refer to **Section 3** for more details.

### Notes:

---

# SECTION 2: PREPARATION & INSPECTION

## 2.1 Personnel Requirements

This Hitch Hauler is intended to be used as a PowerLift transport device only and must be used and maintained by competent personnel only.

Anyone under the influence of drugs, alcohol or are subjected to dizziness, seizures or loss of physical control must not operate this Hitch Hauler.

### User Requirements

Before operating this Hitch Hauler, the owner must read and comprehend this manual.

**The operator must be familiar with:**

1. Use and limitations of the components of the Hitch Hauler.
2. The Hitch Hauler and in this manual.
3. Employer and government regulations.
4. Enough mechanical aptitude and knowledge of the Hitch Hauler to recognize a component malfunction or a potential malfunction.
5. The safest means to operate the Hitch Hauler where overhead and ground hazards are present. These hazards include: overhead obstructions, obstacles, depressions, drop-offs, etc.

### User Responsibilities

The exercise of good judgment, safety control, and caution in evaluating each situation is the responsibility of the User. The User must discontinue use of the Hitch Hauler in the event of a malfunction or other unsafe condition of the Hitch Hauler.

## 2.2 Preparation, Inspection & Maintenance

The following table (**Table 2-1**) outlines the periodic Hitch Hauler inspection and maintenance recommended by ReechCraft. Consult local regulations for further requirements.

The frequency of inspections and required maintenance must be increased if the Hitch Hauler is exposed to harsh conditions, increased use or if the machine is used in a severe manner.

**Table 2-1:** Inspection and Maintenance

TYPE	FREQUENCY	PRIMARY RESPONSIBILITY	SERVICE QUALIFICATION	REFERENCE
Pre-Use Inspection	Before starting each day or at shift change.	Owner, User	Owner, User	Operator's Safety Manual
Frequent Inspection	In service or out of service for 3 mo. or purchased used.	Owner, Dealer or User	Qualified Mechanic*	Operator's Safety Manual
Replacement	When components are worn or damaged.	Owner, Dealer or User	Qualified Mechanic*	Operator's Safety Manual

**NOTE:** Use this manual to perform inspections.

**NOTE:** \*A person who has acquired training, qualifications or a combination of these, the knowledge and skill enabling the person to inspect and repair the Hitch Hauler to the level required by the complexity of the task.

## 2.3 Pre-Use Inspection

The Pre-Use Inspection should include each of the following:

1. **Cleanliness** - Check all surfaces for build-up of debris or foreign objects.
2. **Decals and Placards** - Check for cleanliness and legibility. Make sure none of the decals or placards are missing. Make sure all illegible decals are cleaned or replaced. (**Reference Section 4.6 Decal Installation**).
3. **Safety, Service** - Make sure a copy of the Operator's Safety manual is available for reference.
4. **Assembly** - Make sure the Hitch Hauler is assembled in accordance with **Section 3**.
5. **Pre-Use Inspection** - Refer to (**Table 2-2**) and (**Figure 2-1**).
6. **Function Check** - Once the Pre-Use Inspection is complete, perform a function check to be sure the Hitch Hauler moves freely.

### Pre-Use Inspection

Begin the Pre-Use Inspection starting at item one (1) as noted on the diagram (**Figure 2-1**). Continue around the Hitch Hauler checking each item in sequence for the conditions listed in the following check list (**Table 2-2**).



**TO AVOID POSSIBLE INJURY DO NOT USE THE HITCH HAULER UNTIL ALL MALFUNCTIONS HAVE BEEN CORRECTED.**

**NOTE:** *Do not overlook the underside of the Base Frame and Receiver Mount. Check these areas for corrosion, debris and cracks.*

**NOTE:** *Make sure there are no loose or missing parts and that all components are present and securely fastened. Make sure that there is no visible damage or excessive wear.*

**Notes:**

---

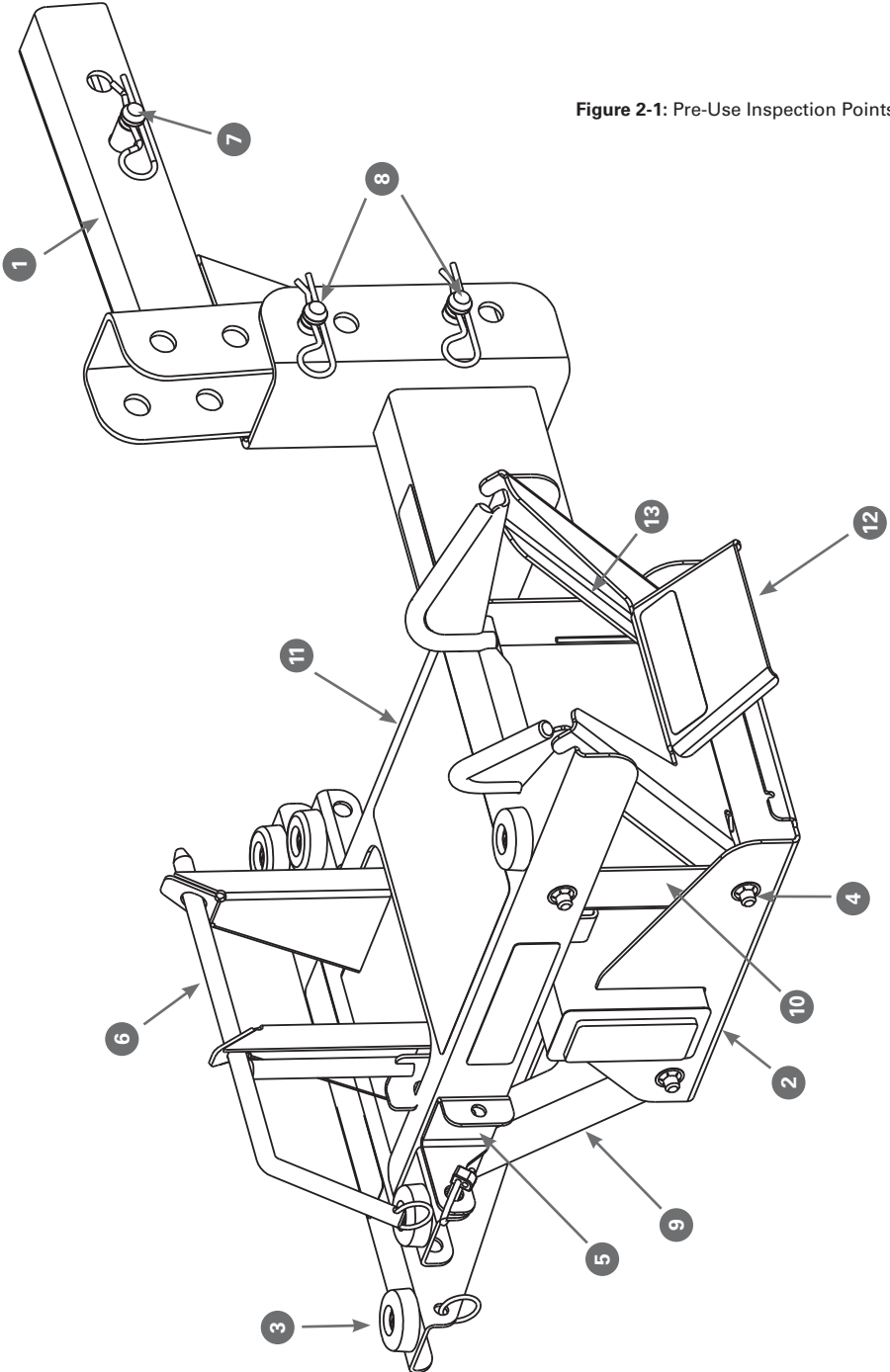


Figure 2-1: Pre-Use Inspection Points



**Table 2-2:** Pre-Use Inspection

BE SURE TO CHECK THE FOLLOWING:		
NO.	PART	
1	Receiver Mount	The main component is not bent or misshapen in any way. The intersecting welds are not cracked and any visible rust or corrosion is confined to the surface discoloration only.
2	Base Frame	Check for cracks or corrosion especially at intersecting weld joints. Check the underside of the Base Frame for any excessive skid wear, rust or corrosion.
3	Rubber Bumpers	All six (6) rubber bumpers are present, properly installed and free of excessive wear.
4	Retaining Washers	All six (6) retaining washers are present, properly installed free of excessive rust or corrosion.
5	Retaining Pin	It is present and is in good working condition.
6	Master Pin	It is present, not bent or misshapen in any way and is free of excessive rust or corrosion.
7	Receiver Hitch Pin	It is in good condition free of excessive rust or corrosion.
8	Adjustment Pins	They are present and complete with hairpin cotter pin and are in good condition free of excessive rust or corrosion.
9	Rear Rocker Arm	It is present, securely attached, not bent or misshapen in any way and that it rotates freely.
10	Front Rocker Arm	It is present, securely attached, not bent or misshapen in any way and that it rotates freely.
11	Rocker Plate	It is present, securely attached, not bent or misshapen in any way and that it rotates and tilts freely and completely.
12	Rocker Plate Latch	It is present, securely attached, not bent or misshapen in any way and that it rotates and tilts freely and completely.
13	Latch Spring	It is present, securely attached, not bent or misshapen in any way and that it rotates freely.

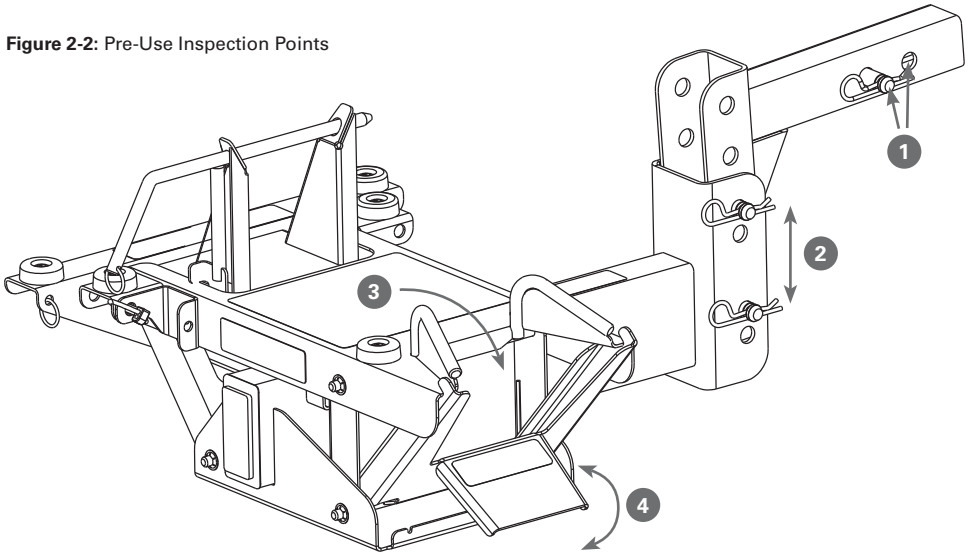
## 2.4 Function Check

Once the Pre-Use Inspection check is complete, perform a function check making sure the Hitch Hauler components fit properly and operate smoothly. Refer to **Table 2-3** and **Figure 2-2**.

### **WARNING**

**IF THE HITCH HAULER DOES NOT OPERATE PROPERLY, REMOVE FROM THE TRANSPORT VEHICLE IMMEDIATELY! REPORT THE PROBLEM TO THE PROPER MAINTENANCE PERSONNEL AND DO NOT INSTALL OR USE THE HITCH HAULER UNTIL IT HAS BEEN DEEMED SAFE FOR USE.**

**Figure 2-2:** Pre-Use Inspection Points



**Table 2-3:** Function Check Items

NO.	PART	BE SURE TO CHECK THE FOLLOWING:
1	Receiver Mount	Check to be sure one of the two (2) clearance holes in the tube of the receiver mount properly align with the clearance hole in the receiver.
2	Base Frame	Check to be sure the adjustment bracket of the Base Frame aligns with the adjustment bracket of the receiver mount and that the vehicle mounted receiver is at a height that can provide adequate ground clearance for safe PowerLift transport.
3	Rocker Plate	Check to be sure the Rocker Plate is functioning freely and properly by tilting the Rocker Plate forward and back checking to be sure it rotates smoothly and seats properly. Check to be sure when the Rocker Plate is tilted in the forward position the front rocker arm comes in to even contact with the Base Frame.
4	Rocker Plate Latch	Check to be sure the Rocker Plate Latch is functioning freely and properly by tilting the Rocker Plate Latch forward and back. Check to be sure it rotates smoothly and locks properly.

**Notes:**

---

# SECTION 3: MACHINE OPERATION

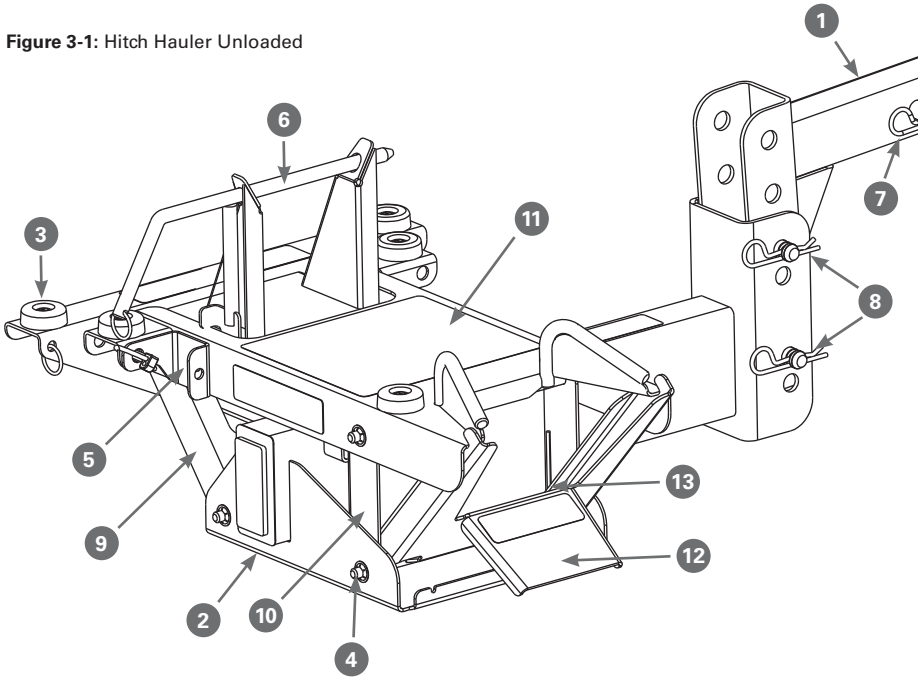
## 3.1 General

**NOTE:** The manufacturer has no direct control over the machine application and operation. The operator is responsible for following good safety practices.

## 3.2 Machine Description

The ReechCraft Hitch Hauler (**Figure 3-1**) is a vehicle mounted system designed to transport the ReechCraft PowerLift from site to site. The Hitch Hauler is rated only to carry the ReechCraft PowerLift (**Figure 3-2**) and is compatible with most Class III minimum 2" receiver hitches.

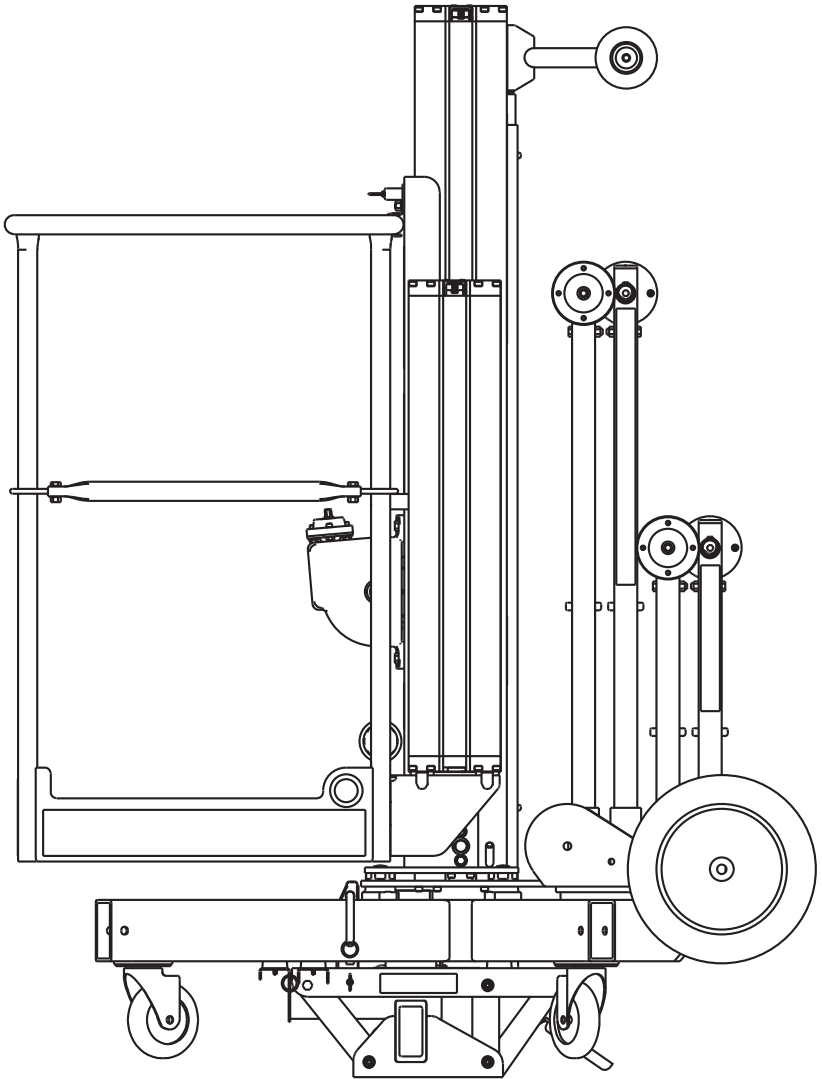
**Figure 3-1:** Hitch Hauler Unloaded



### Legend

- |                      |                       |                        |
|----------------------|-----------------------|------------------------|
| 1. Receiver Mount    | 6. Master Pin         | 10. Front Rocker Arm   |
| 2. Base Frame        | 7. Receiver Hitch Pin | 11. Rocker Plate       |
| 3. Rubber Bumpers    | 8. Adjustment Pins    | 12. Rocker Plate Latch |
| 4. Retaining Washers | 9. Rear Rocker Arm    | 13. Latch Spring       |
| 5. Retaining Pin     |                       |                        |

**Figure 3-2:** Hitch Hauler Loaded with PowerLift



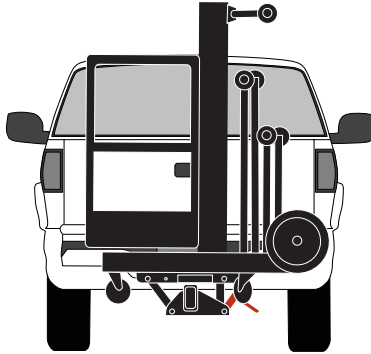
### 3.3 Machine Operation

#### General



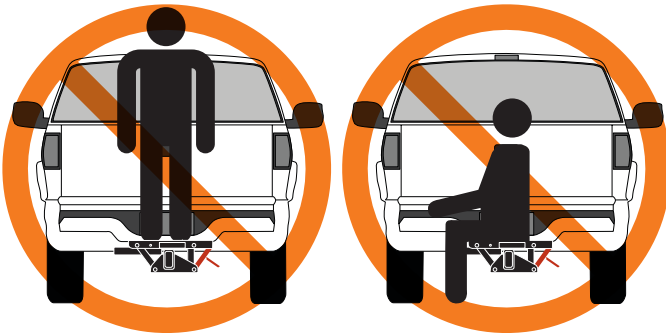
**FOR USE WITH POWERLIFT ONLY**

Do not attempt to use the Hitch Hauler for any other purpose than transporting the ReechCraft PowerLift.



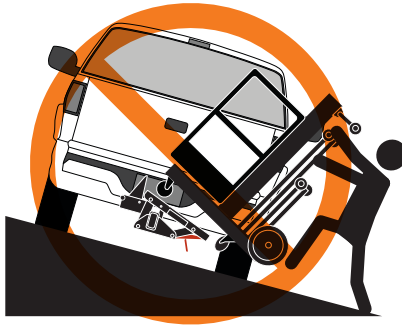
**DO NOT STAND OR SIT**

Do not stand, sit, or step on the Hitch Hauler.



**! WARNING****DO NOT USE ON SLOPES**

The Hitch Hauler is designed to be used for loading and unloading the ReechCraft PowerLift on smooth, firm, and level surfaces.

**! WARNING****DO NOT USE ON SLIPPERY SURFACES**

The Hitch Hauler is designed to be used for loading and unloading the ReechCraft PowerLift on non-slip surfaces. Take care to inspect working surface prior to loading or unloading.



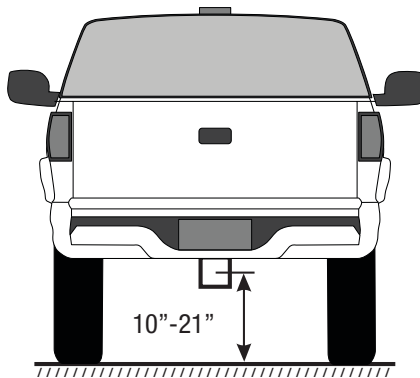
## 3.4 Set-Up and Use

Proper mounting and adjustment of the Hitch Hauler is critical for safe loading, unloading, and transport of the ReechCraft PowerLift. Follow these instructions to successfully load and unload the PowerLift to the Hitch Hauler.

### Set-Up and Prepare for Loading

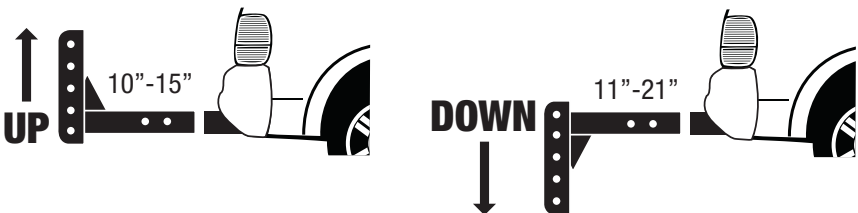
1. The Hitch Hauler has vertical adjustment to accommodate vehicle hitch heights from approximately 10" to 21" off the ground. To determine the Receiver Mount "Up" or "Down" position, first measure the distance from the ground to the center of the vehicle receiver hitch (**Figure 3-3**).

**Figure 3-3:** Measure Height of Vehicle Receiver



2. For vehicle receiver heights of 10"-15", place the Receiver Mount in the "Up" position into the vehicle receiver. For vehicle receiver heights of 16"-21", place the Receiver Mount in the "Down" position. Secure the Receiver Mount with the Receiver Hitch Pin, mounting as close to the bumper as possible (**Figure 3-4**).

**Figure 3-4:** Install the Receiver Mount

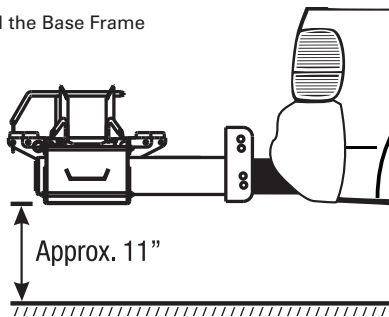




3. Install the main body of the Hitch Hauler so the bottom of the Base Frame is approximately 11" above the ground. Secure the Base Frame with the 2 Adjustment Pins (**Figure 3-5**).

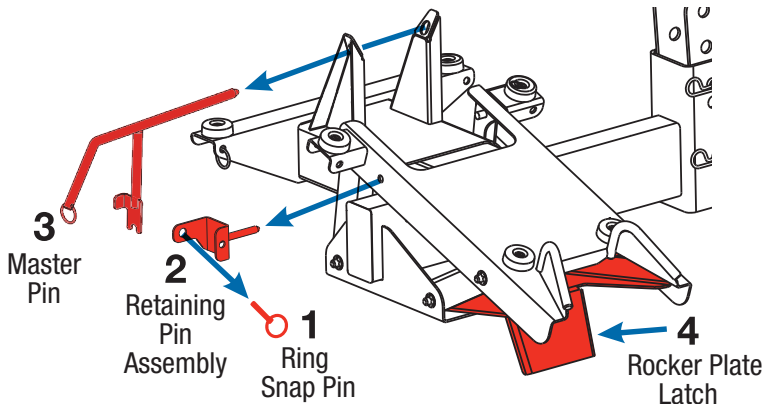
**NOTE:** Different vehicles and operators may require slight height variations from those suggested below. Heights higher than 11" may make loading/unloading the PowerLift more difficult but will increase clearance height of the loaded vehicle. Heights lower than 11" will provide less ground clearance, but will be easier to load.

**Figure 3-5:** Install the Base Frame



4. Before the PowerLift can be loaded, the Hitch Hauler Rocker Plate must be tilted down. First remove the Retaining Pin by disconnecting the Ring Snap Pin or Paddle Lock, then twist the Master Pin clockwise and remove, allowing it to hang to the ground. Release the Rocker Plate Latch and tilt the Rocker Plate all the way down (**Figure 3-6**).

**Figure 3-6:** Tilt the Rocker Plate Down



## Load the PowerLift

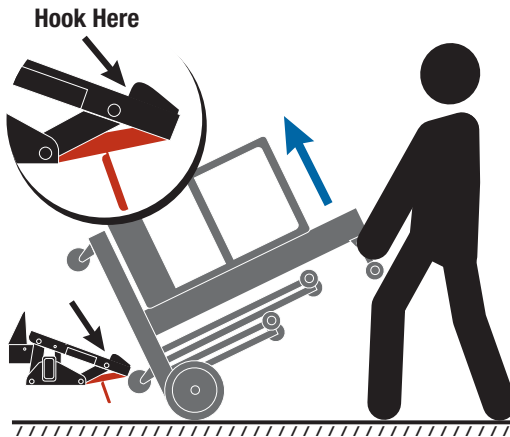
### **WARNING**

**BEFORE OPERATING THE POWERLIFT YOU MUST READ AND UNDERSTAND THE POWERLIFT OPERATOR'S SAFETY MANUAL.**

**DO NOT ATTEMPT IF YOU ARE NOT PHYSICALLY ABLE TO LIFT AND POSITION THE POWERLIFT ON THE HITCH HAULER. REMOVE COMPONENTS FROM THE POWERLIFT TO REDUCE THE WEIGHT AND/OR USE TWO PERSONS TO COMPLETE THE LOADING OF THE POWERLIFT ON TO THE HITCH HAULER. IF AT ANYTIME WHILE LOADING THE POWERLIFT YOU FEEL UNCOMFORTABLE HANDLING THE WEIGHT, CAREFULLY LOWER THE POWERLIFT DOWN TO THE GROUND AND REMOVE FROM THE HITCH HAULER.**

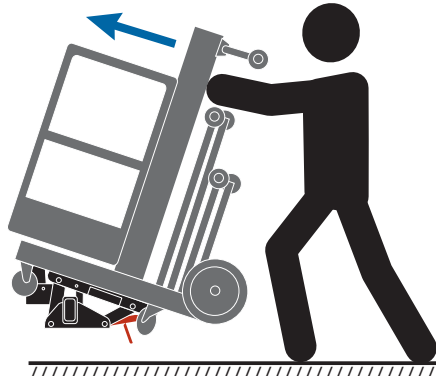
1. To load the PowerLift on to the Hitch Hauler, tilt back the PowerLift and approach the Hitch Hauler while centering the PowerLift between the Rocker Plate Glides. Continue forward until the PowerLift is over the top of the Rocker Plate Glides (**Figure 3-7**).

**Figure 3-7:** Center and Hook on to the Rocker Plate



2. With the PowerLift “hooked” over the Rocker Plate Glides, lower the PowerLift on to the Rocker Plate (**Figure 3-8**).

Figure 3-8: Lower on to the Rocker Plate



**! WARNING**

BE SURE THE ROCKER PLATE LATCH IS FULLY ENGAGED AND THAT THE POWERLIFT IS HORIZONTAL. SLOWLY REMOVE YOUR HOLD ON THE POWERLIFT MAKING SURE IT IS STABLE AND NO PERSONS ARE NEARBY. DO NOT LEAVE THE UNSECURED POWERLIFT UNATTENDED. PROCEED TO SECURING THE POWERLIFT IMMEDIATELY AFTER THE POWERLIFT HAS BEEN MOVED TO THE HORIZONTAL POSITION ON THE HITCH HAULER.

3. While continuing to hold the PowerLift about 12" below the handle, push horizontally to move the PowerLift to the horizontal position until the Rocker Plate Latch is fully engaged (Figure 3-9).

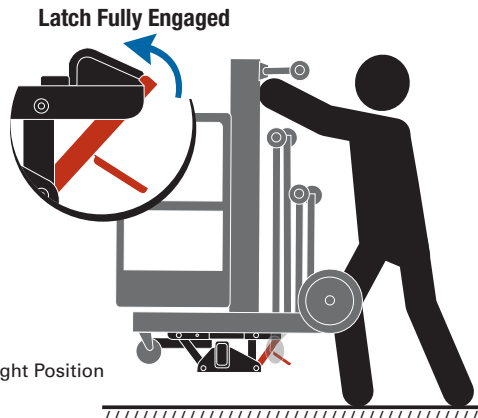
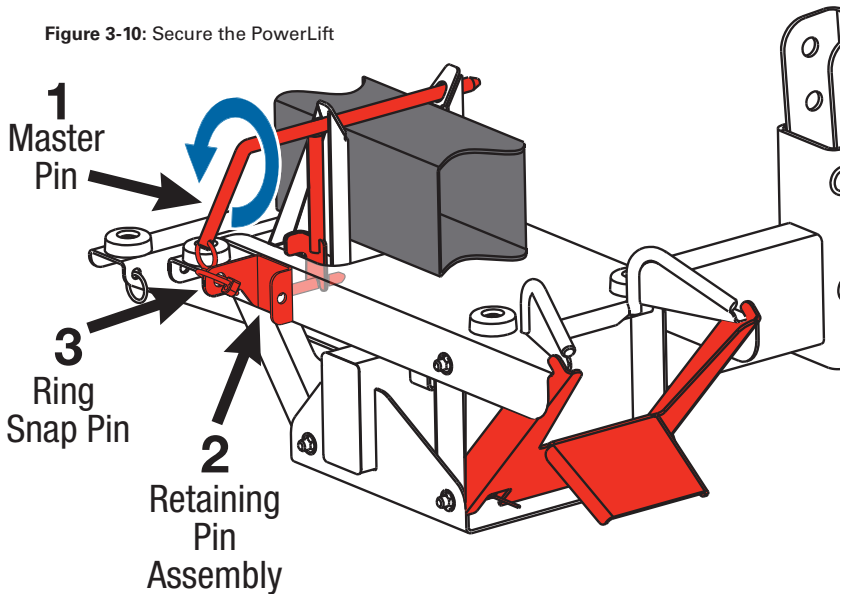


Figure 3-9:  
Move to Upright Position

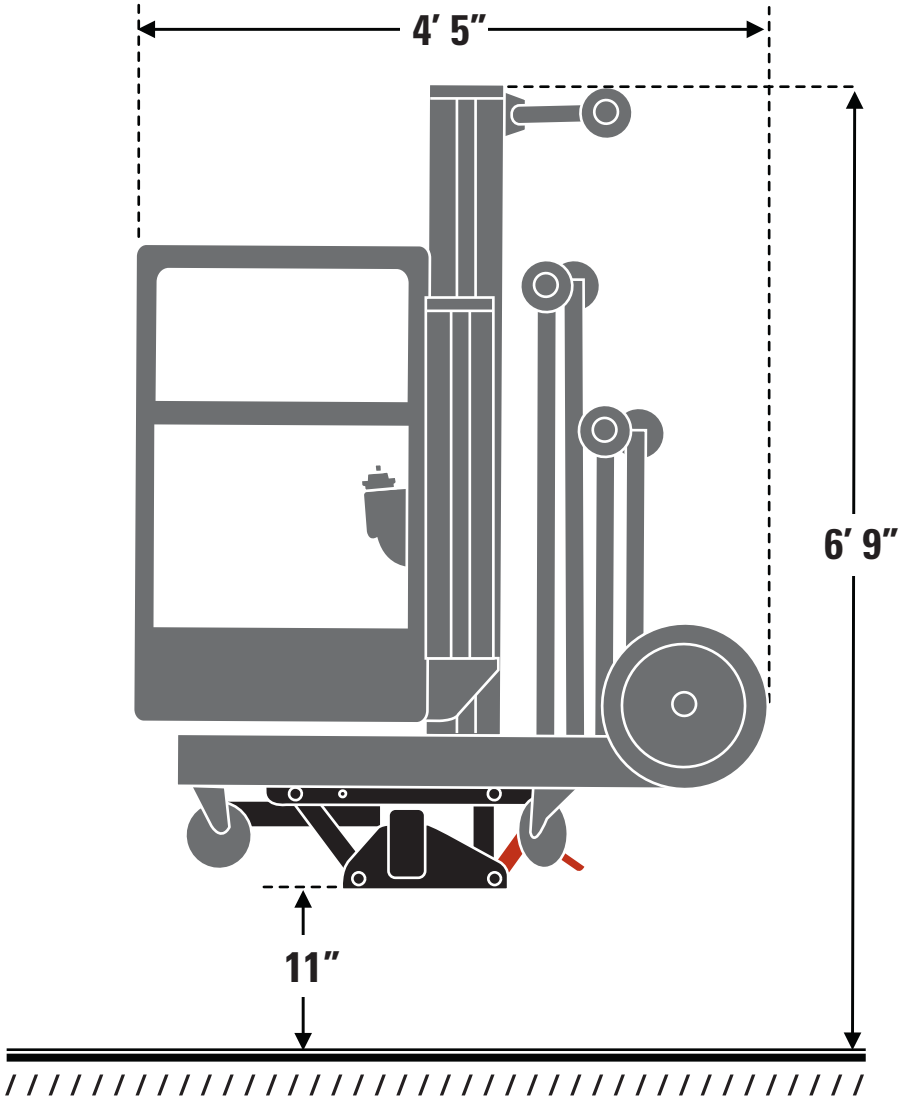
4. With the PowerLift resting fully on the Hitch Hauler Base Frame, insert Master Pin through both uprights and twist counter clockwise  $\frac{1}{4}$  turn. Insert the Retaining Pin through the Rocker Plate, Master Pin, and Base Frame. Secure the Retaining Pin with either the Ring Snap Pin or Paddle Lock. Check that the pins are installed correctly by trying to twist the Master Pin. Master Pin should be locked from rotating (**Figure 3-10**).

Figure 3-10: Secure the PowerLift



### Check Complete Installation

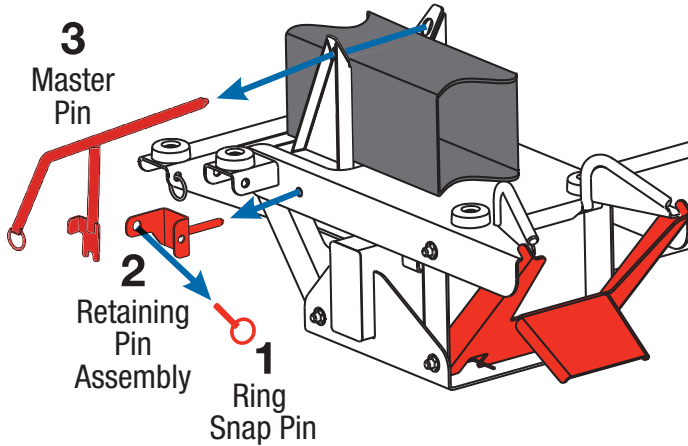
1. As a final precaution, inspect the full installation that all pins and components on both the Hitch Hauler and PowerLift are in place. Standing near the PowerLift Platform, move the PowerLift side to side and front to back to make sure it is secure for transport.
2. Take time to understand the new overall dimensions of your vehicle including clearance height, extended length, and ground clearance under the Hitch Hauler. See **Figure 3-11** for approximate dimensions.

**Figure 3-11:** Approximate Dimensions of Mounted PowerLift

## Unload the PowerLift

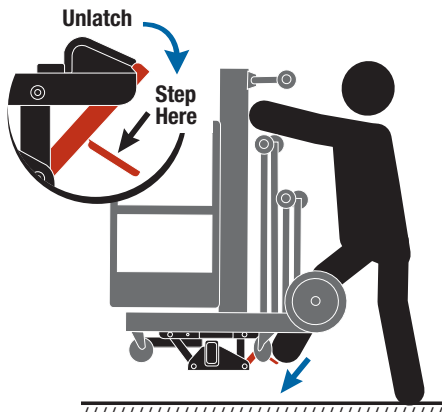
1. With the PowerLift resting fully on the Hitch Hauler Base Frame, first remove the Retaining Pin by releasing the Ring Snap Pin or Paddle Lock. Second, twist the Master Pin clockwise  $\frac{1}{4}$  turn and remove (Figure 3-12).

Figure 3-12: Unlock the PowerLift



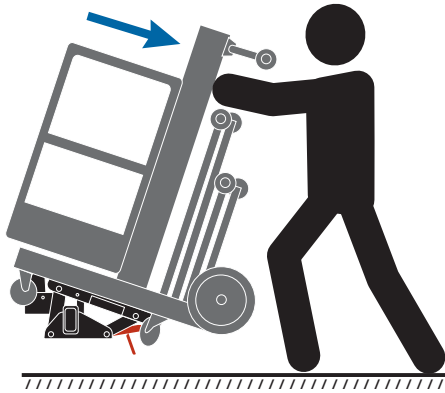
2. While holding the PowerLift about 12" below the handle, disengage the Rocker Plate Latch by stepping down slightly. Gently rotate the PowerLift a few degrees, then place both feet on the ground to stabilize the weight (Figure 3-13).

Figure 3-13: Release Rocker Plate Latch



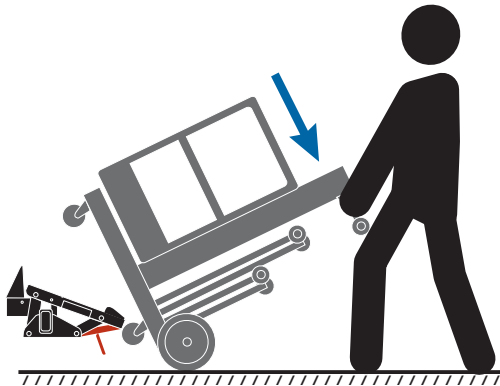
3. Continue to lower the PowerLift and Rocker Plate down until the Rocker Plate stops (**Figure 3-14**).

**Figure 3-14:** Lower down PowerLift and Rocker Plate



4. With the Rocker Plate down, continue to tilt back the PowerLift to the ground, unhooking from the Hitch Hauler (**Figure 3-15**).

**Figure 3-15:** Lower PowerLift and Unhook from Hitch Hauler



# SECTION 4 : SERVICE & MAINTENANCE

## 4.1 Introduction: Maintenance Safety Precautions

### General

This section contains general safety precautions which must be observed during maintenance of the Hitch Hauler. It is important that maintenance personnel heed these warnings to avoid possible injury to themselves or others. A maintenance program must be established by a competent person and followed to ensure the Hitch Hauler is in safe operating condition.

Due to our commitment to continuous improvement, ReechCraft reserves the right to make specification changes without prior notification. Contact ReechCraft for updated information.



**MODIFICATION OF THE HITCH HAULER WITHOUT THE MANUFACTURERS APPROVAL IS A PROHIBITED PRACTICE AND A DIRECT SAFETY VIOLATION.**

Your safety and the safety of others is the primary concern when performing service and maintenance on the Hitch Hauler. Always be conscious of moving parts and pinch points. Never leave an object in an unstable or unsupported position.



**SINCE THE MANUFACTURER HAS NO DIRECT CONTROL OVER THE FIELD SERVICE AND MAINTENANCE OF THE HITCH HAULER, SAFETY IS THE RESPONSIBILITY OF THE OWNER/OPERATOR.**



## Maintenance Safety



**FAILURE TO COMPLY WITH THE SAFETY PRECAUTIONS LISTED IN THIS SECTION COULD RESULT IN HITCH HAULER DAMAGE, PERSONNEL INJURY OR DEATH, AND IS A SAFETY VIOLATION.**

- **REMOVE ALL RINGS, WATCHES, AND JEWELRY WHEN PERFORMING ANY MAINTENANCE.**
- **DO NOT WEAR LONG HAIR UNRESTRAINED OR LOOSE FITTING CLOTHING AND NECKTIES WHICH MAY BECOME CAUGHT OR ENTANGLED IN THE HITCH HAULER**
- **OBSERVE, UNDERSTAND AND OBEY ALL DANGER, WARNING, CAUTION AND OTHER INSTRUCTIONS ON THE HITCH HAULER AND IN OPERATORS MANUAL.**
- **KEEP STANDING SURFACES AND HAND HOLDS FREE OF GREASE, WATER, OIL, ETC.**
- **BEFORE CARRYING THE HITCH HAULER, BE SURE ALL PINS ARE PROPERLY INSTALLED TO AVOID INADVERTENT MOVEMENT AND INJURY.**
- **USE ONLY APPROVED, NONFLAMMABLE CLEANING SOLVENTS.**

## 4.2 Preparation, Inspection & Maintenance

### General

This section provides the necessary information needed by those personnel that are responsible to place the Hitch Hauler in operational readiness and maintain its safe operating condition. To ensure maximum service life and safe operation, be sure that all inspections and maintenance have been completed before placing the Hitch Hauler into service.

### Preparation, Inspection and Maintenance

It is important to establish a comprehensive inspection and preventative maintenance program. **Table 2-1** outlines the periodic Hitch Hauler inspection and maintenance recommended by ReechCraft. Consult your local, regional or national regulations for further requirements.

**NOTE:** *The frequency of inspections must increase as environment and frequency of use requires.*

### Pre-Use Inspection

It is the User's responsibility to perform a Pre-Use Inspection of the Hitch Hauler prior to use. Refer to **Section 2** of this manual for Pre-Use Inspection procedures.

This manual must be read and understood in its entirety prior to performing a Pre-Use Inspection.

## Frequent and Pre-Delivery Inspection

The Frequent Inspection and Pre-Delivery Inspection shall be performed by a competent person or a qualified mechanic.

The Frequent Inspection and Pre-Delivery Inspection procedures are performed in the same way but at different times. The Pre-Delivery Inspection shall be performed prior to each sale, or rental delivery. The Frequent Inspection shall be performed on each Hitch Hauler before each use and before each delivery.

Reference the appropriate areas of this manual for service and maintenance procedures.

## Preventative Maintenance

In conjunction with specified inspections, maintenance shall be performed by a competent person or a qualified mechanic.

## 4.3 Preventative Maintenance and Inspection Schedule

The preventive maintenance and inspection checks are listed and defined in **Table 4-1**. The table is divided into three parts: "AREA," "PRE-USE" and "PRE-DELIVERY." The component and function requiring inspection are listed in the AREA column and the intervals at which time they are to be inspected are listed in the PRE-USE and PRE-DELIVERY column.

**NOTE:** *The checks and services listed in this schedule are not intended to take the place of any local or regional regulations that may pertain to this type of equipment nor should the list be considered as all inclusive. Variances in interval times may occur due to the environment the Hitch Hauler is subjected to.*

### Inspection and Maintenance Codes:

1. Check for proper and secure installation.
2. No gouges, excessive wear, or dents showing.
3. Visually inspect for excessive wear, damage, cracks or distortion.
4. Check for cracked or broken welds.
5. Check area is clean and free of debris.
6. Check for proper adjustment.
7. Check for proper operation.
8. Check for proper tolerances.
9. Check for proper specifications.
10. Verify.
11. Perform.
12. Replace.

**Table 4-1:** Preventive Maintenance and Inspection Schedule

Area	Pre-Use Inspection	Pre-Delivery or Frequent Inspection
	Prior to Each Use	Prior to Each Delivery
Receiver Mount	1,2,3,4,5,6	1,2,3,4,5,6
Base Frame	1,2,3,4,5,6	1,2,3,4,5,6
Bumper	1,3	1,3
Retaining Washer	1,3,5,6	1,3,5,6
Retaining Pin	1,3	1,3
Master Pin	1,3	1,3
Receiver Hitch Pin	1,3	1,3
Adjustment Pin	1,3	1,3
Rear Rocker Arm	1,2,7,8	1,2,7,8
Front Rocker Arm	1,2,7,8	1,2,7,8
Rocker Plate	1,2,7,8	1,2,7,8
Manual Available	10	10
Decals Installed & Secure	10	10
No Unauthorized Modifications	10	10
General Structural Condition & Welds	3,4	3,4
Fasteners & Pins Present & in Good Condition	10	10
Function Test	11	11
Paint/Appearance	10	10

## 4.4 Servicing and Maintenance Guidelines

### General

The following information is provided to assist you in the use and application of service and maintenance procedures contained in this chapter.



**WHEN AN ABNORMAL CONDITION IS NOTED AND PROCEDURES CONTAINED WITHIN THIS MANUAL DO NOT SPECIFICALLY RELATE TO THE NOTED IRREGULARITY, USE OF THE HITCH HAULER MUST BE DISCONTINUED AND A QUALIFIED MECHANIC WITH PROPER KNOWLEDGE SHOULD CORRECT THE IRREGULARITY BEFORE USE IS RESUMED.**

### Safety and Workmanship

Your safety, and that of others, is the first consideration when engaging in the maintenance of equipment. Always be conscious of moving components and pinch points. Do not allow heavy objects to rest in an unstable position. When lifting a portion of the Hitch Hauler, ensure that adequate support is provided.

### Cleanliness

The single most important item in preserving the long service life of a Hitch Hauler is to keep foreign materials out of the vital components. Reasonable precautions have been taken to safeguard against this. However, these areas must be maintained on a scheduled basis in order to preserve proper function of the Hitch Hauler.



**DO NOT LUBRICATE THE HITCH HAULER. ENSURE THAT THE SURFACES AND JOINTS ARE CLEAN AND FREE OF DEBRIS, OIL AND GREASE.**

### **Component Disassembly and Reassembly**

When disassembling or reassembling a component, complete the procedural steps in sequence. Do not partially disassemble or reassemble one part and then start another. Always recheck your work to assure that nothing has been overlooked. Do not make any adjustments, other than those recommended, without obtaining proper approval.

#### **Notes:**

---

## 4.5 Replacement Parts

Figure 4-1: Hitch Hauler Replacement Parts

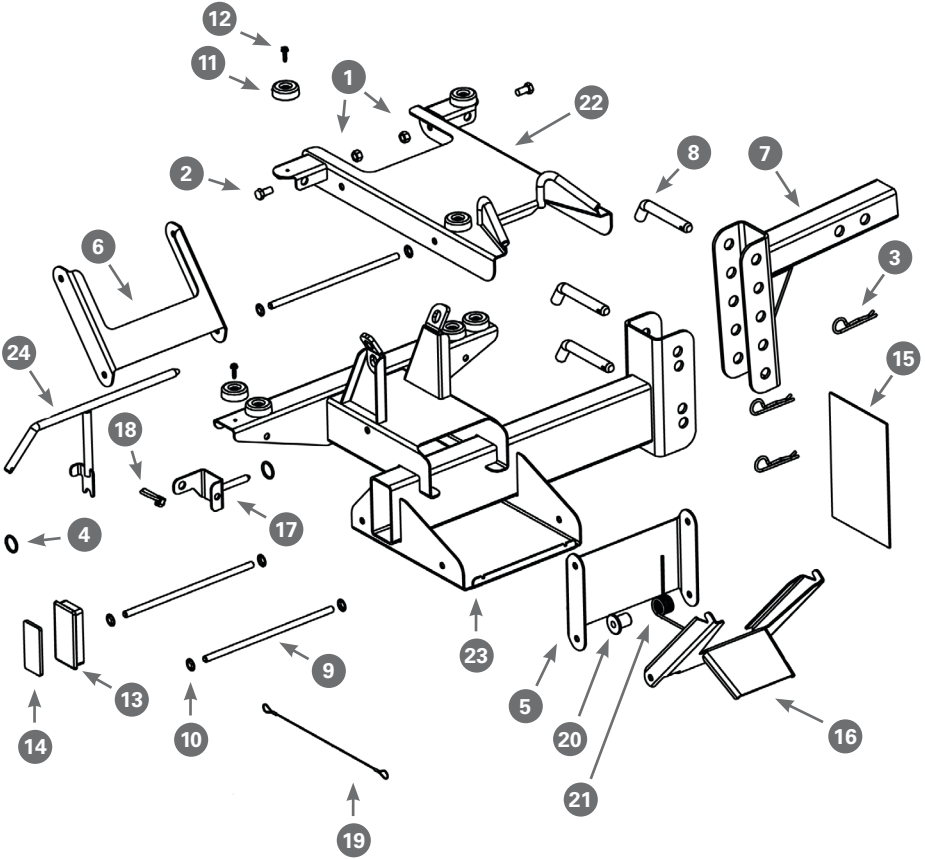




Table 4-2: Replacement Parts List

HITCH HAULER REPLACEMENT PART CONTENTS & LOCATION		
No.	Type	ReechCraft Part Number
1	3/8 Center Lock Nut	910403
2	3/8 x 3/4 Hex Screw	911400
3	Cotter Key	4022518
4	Ring in Key	4022996
5	Rear Link Bracket	4026072
6	Front Link Bracket	4026073
7	Hitch Mount Assembly	4026078
8	5/8 x 3.5" Hitch Pin	4026095
9	3/8 Pivot Pin	4026097
10	3/8 Grooveless Retaining Washer	4026098
11	Bumper Pad	4026100
12	10-32 x 3/4 Thread Forming Screw	4026103
13	4 x 2 Cap Plastic Block	4026104
14	1.5" x 3.5" Reflector Red	4026105
15	Powerlift Hitch Hauler Manual	4026107
16	Rocker Plate Latch	4026125
17	Retaining Pin Assembly	4026129
18	5/16 Ring Snap Pin	4026133
19	3/64 x 12 Stainless Steel Lanyard	4026134
20	Latch Spring Bushing	4026135
21	Latch Torsion Spring	4026136
22	Top Link Assembly	4026239
23	Base Assembly	4026245
24	Lock Pin Assembly	4026089

## 4.6 Decal Replacement

All decals must be mounted to the Hitch Hauler as specified and clearly legible.

Please see **Figure 4-2** for positions and ReechCraft part numbers.

To replace a damaged decal, first remove it completely without damaging the underlying surface.

Remove any remaining adhesive with a suitable solvent. Test the solvent on an inconspicuous area first to ensure it does not mark or damage the surface finish.

### NOTICE

**SURFACE DAMAGE COULD RESULT IN CORROSION AND STRUCTURAL DAMAGE.**

Before applying the new decal, ensure the surface is clean and dry.

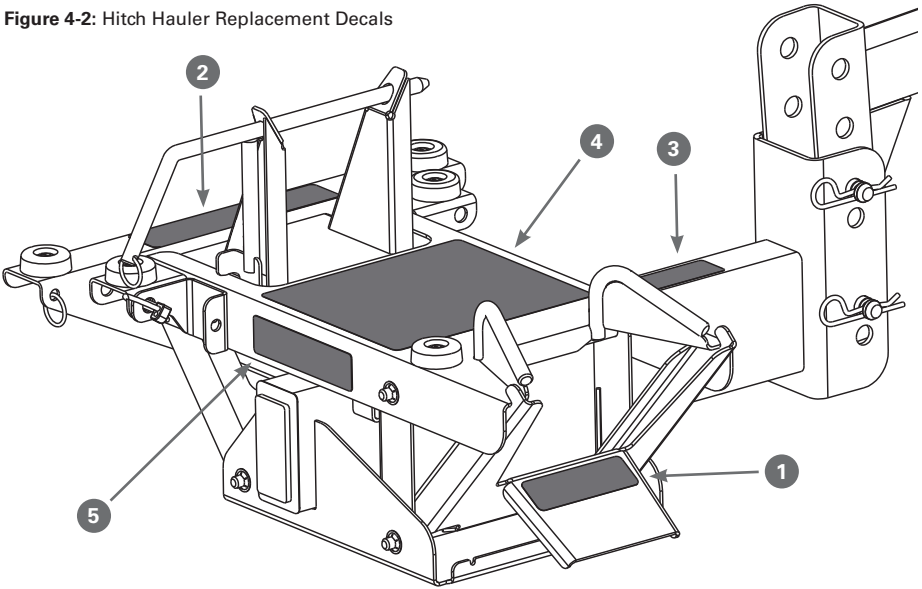
Remove the backing paper, apply the decal along one edge then seal it gently and evenly.

If there are any air bubbles, work them gently towards the edge with a clean cloth. Pressure sensitive adhesives reach full strength after several days.

#### Notes:

---

Figure 4-2: Hitch Hauler Replacement Decals



**HITCH HAULER REPLACEMENT DECAL CONTENTS & LOCATION**

No.	Type	ReechCraft Part Number
1	Usage Warning	4026127
2	Rocker Plate Latch Warning	4026126
3	Caution: Not A Step	4026102
4	Operating Instructions	4026099
5	Hitch Hauler Brand	4026106

ReechCraft.  
***PowerLIFT***<sup>™</sup>  
***Hitch Hauler***

**ReechCraft<sup>®</sup>, Inc.**

845 34th St N

Fargo, ND 58102

**888-600-6160**

[reechcraft.com/powerlift](http://reechcraft.com/powerlift)