

ReechCraft[®] **PowerLIFT**[™]

www.reechcraft.com/powerlift

M20 REPLACEMENT PARTS GUIDE

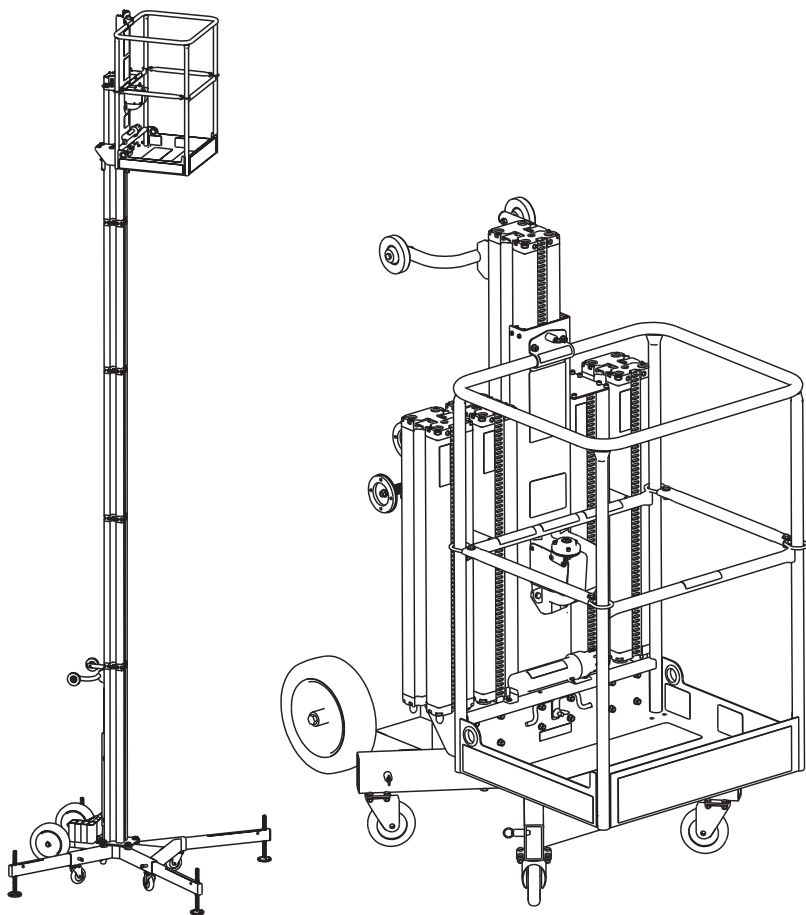


TABLE OF CONTENTS

REVISION LOG

Original issue of Guide.....May 30, 2012

TABLE OF CONTENTS

SECTION - INFORMATIONAL

CONTACT	2
REVISION LOG	2

SECTION - 1 - REPLACEMENT PARTS 3

1.1 POWERLIFT PARTS OVERVIEW	3
1.2 TOP, MIDDLE & BASE MAST ASSEMBLY.....	4
1.3 BASE ASSEMBLY	6
1.4 FRONT & REAR OUTRIGGER ASSEMBLY.....	7
1.5 RETRACTION ASSEMBLY.....	8
1.6 CLIMBING UNIT ASSEMBLY	9
1.7 PLATFORM ASSEMBLY	10
POWERLIFT REPLACEMENT PART CONTENTS & LOCATION	12

CONTACT:

Technical Safety and Engineering Department
845 34th St N
Fargo, ND 58102

In USA

Toll Free: 888-600-6160

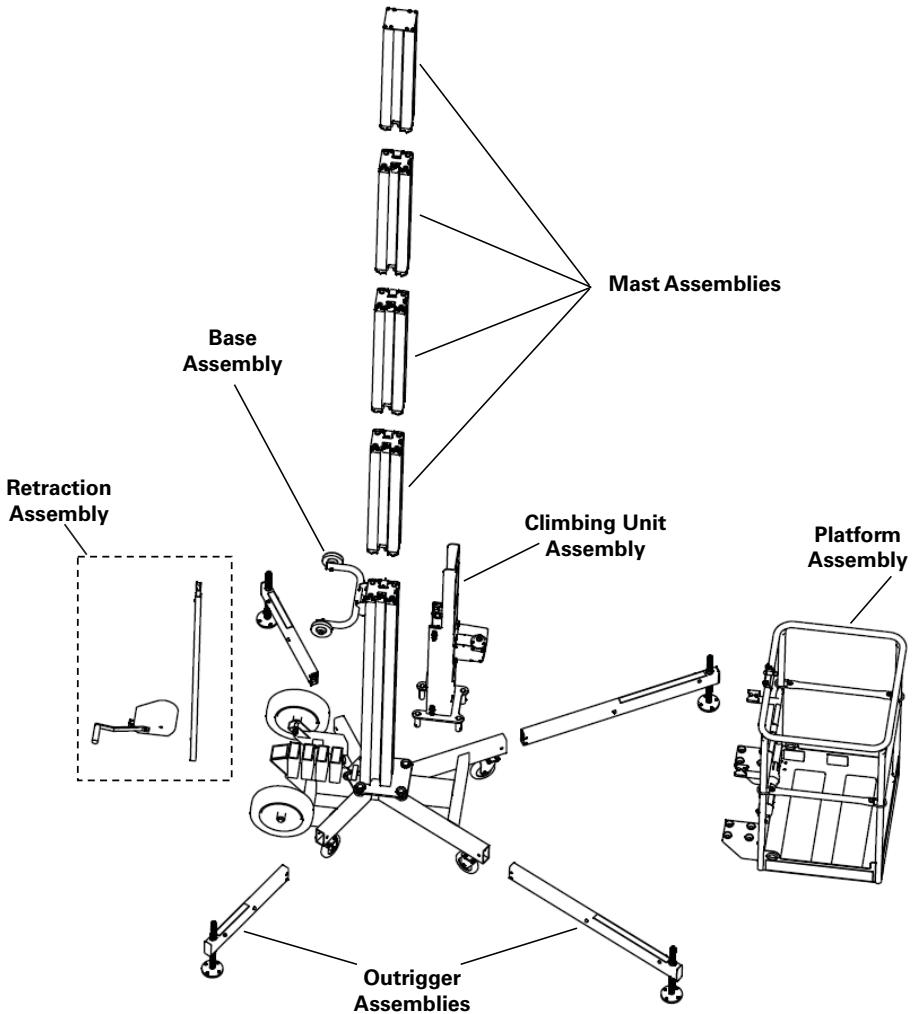
E-mail: info@reechcraft.com

Outside USA

Phone: 701-280-5900

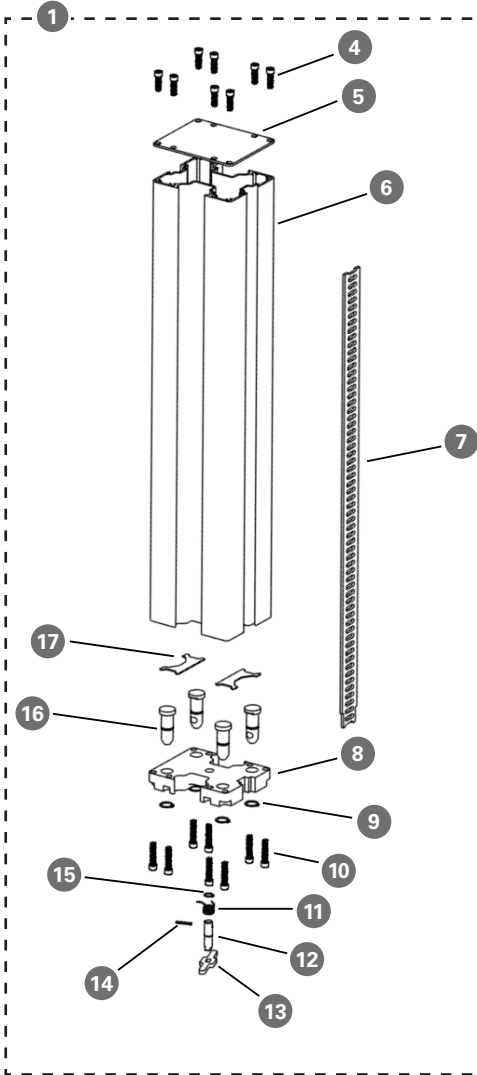
SECTION 1 : REPLACEMENT PARTS

1.1 PowerLift Parts Overview

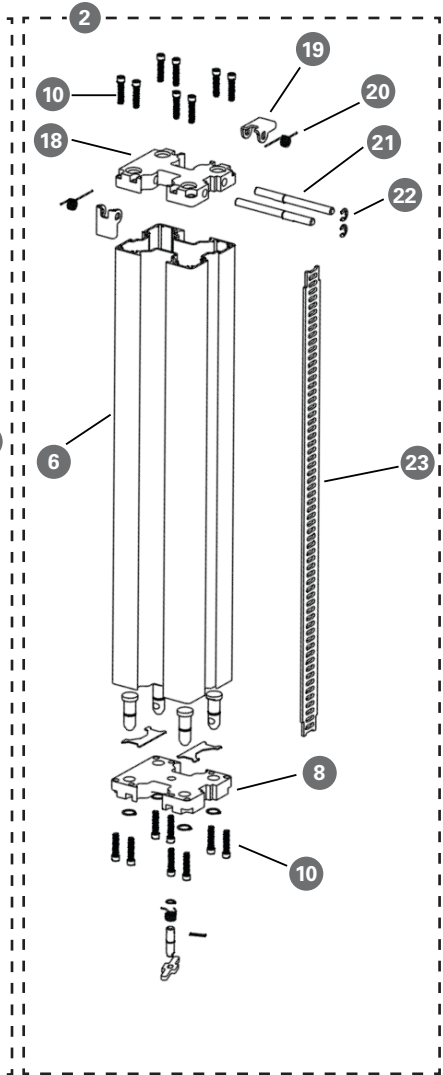


1.2 Top, Middle & Base Mast Assembly

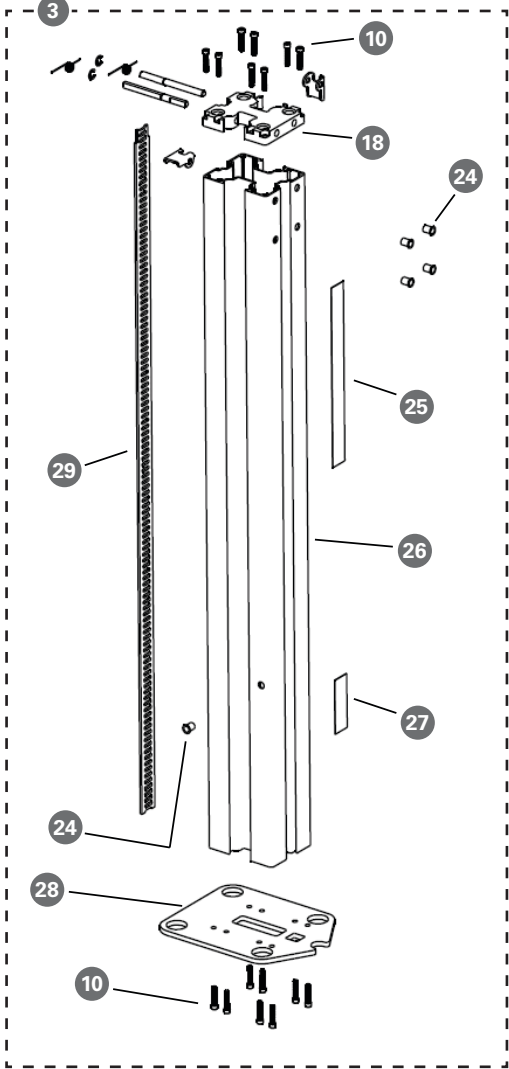
Top Mast Assembly



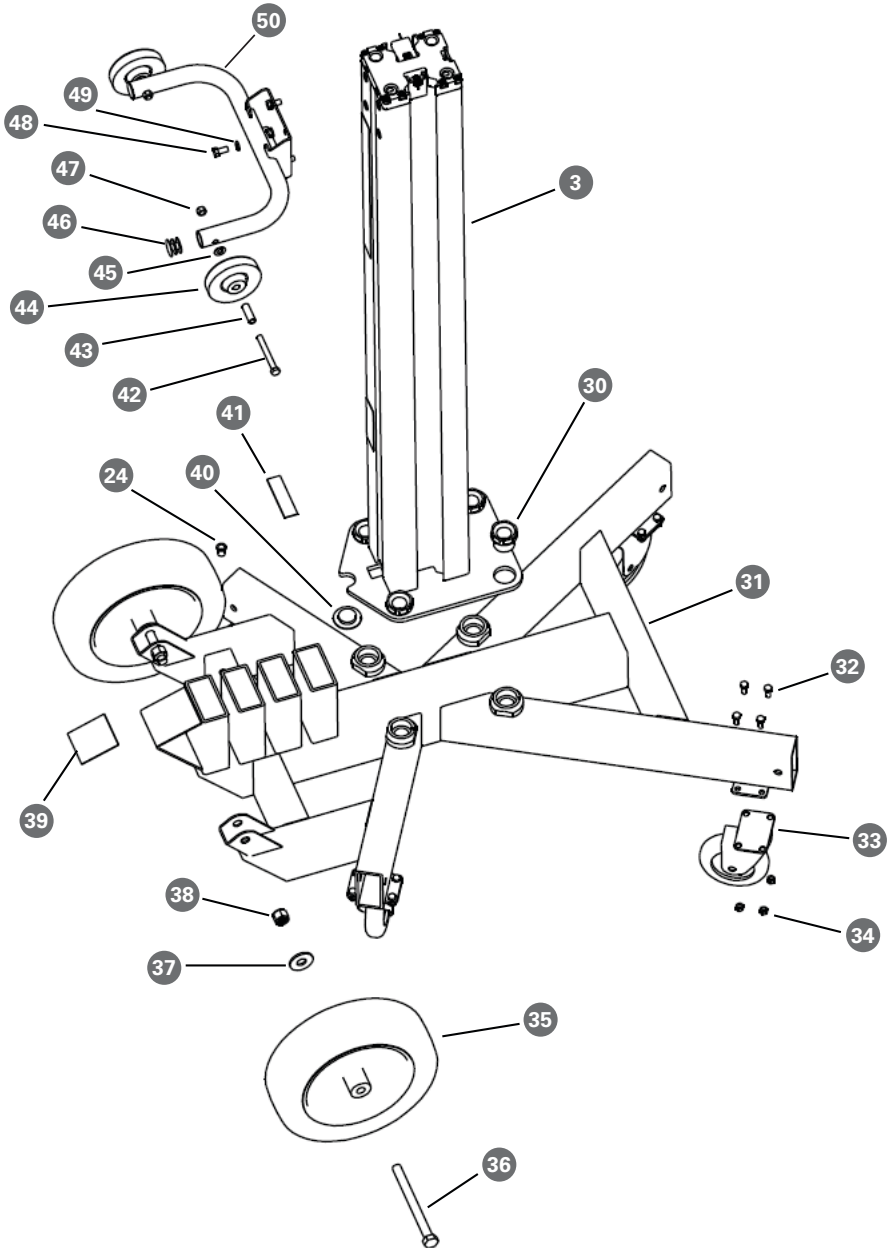
Middle Mast Assembly



Base Mast Assembly

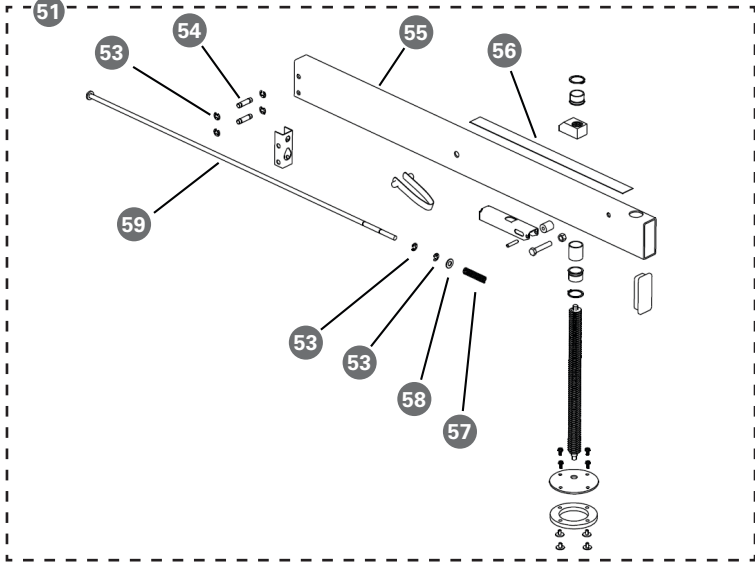


1.3 Base Assembly

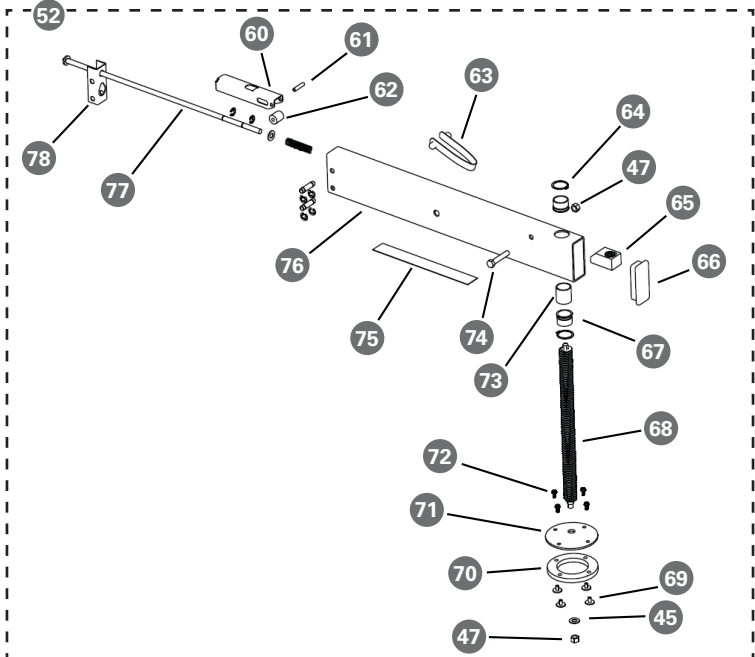


1.4 Front & Rear Outrigger Assembly

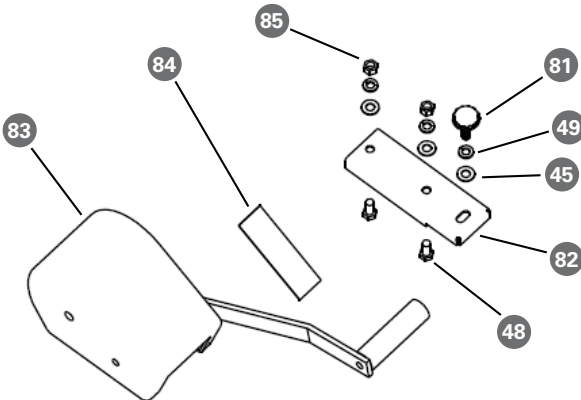
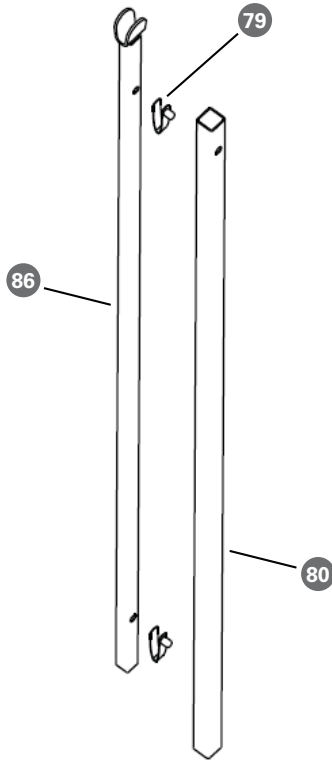
Front Outrigger Assembly



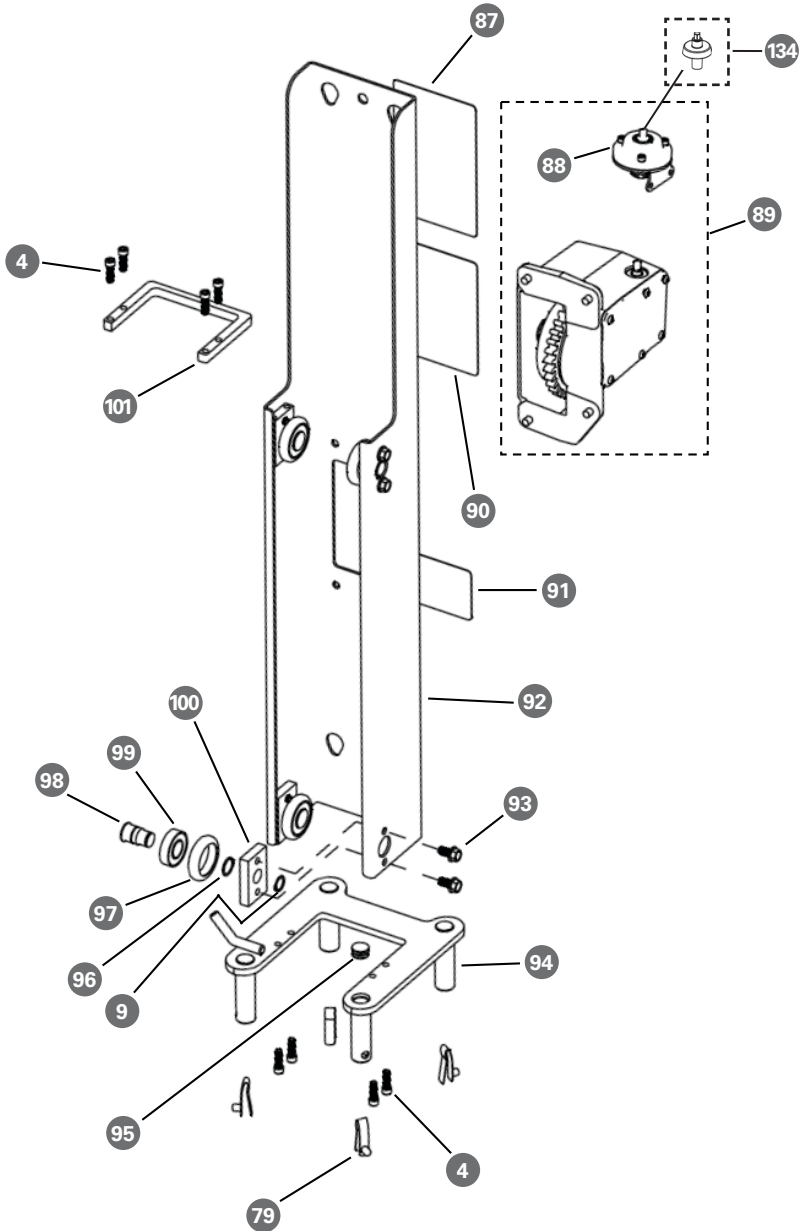
Rear Outrigger Assembly



1.5 Retraction Assembly

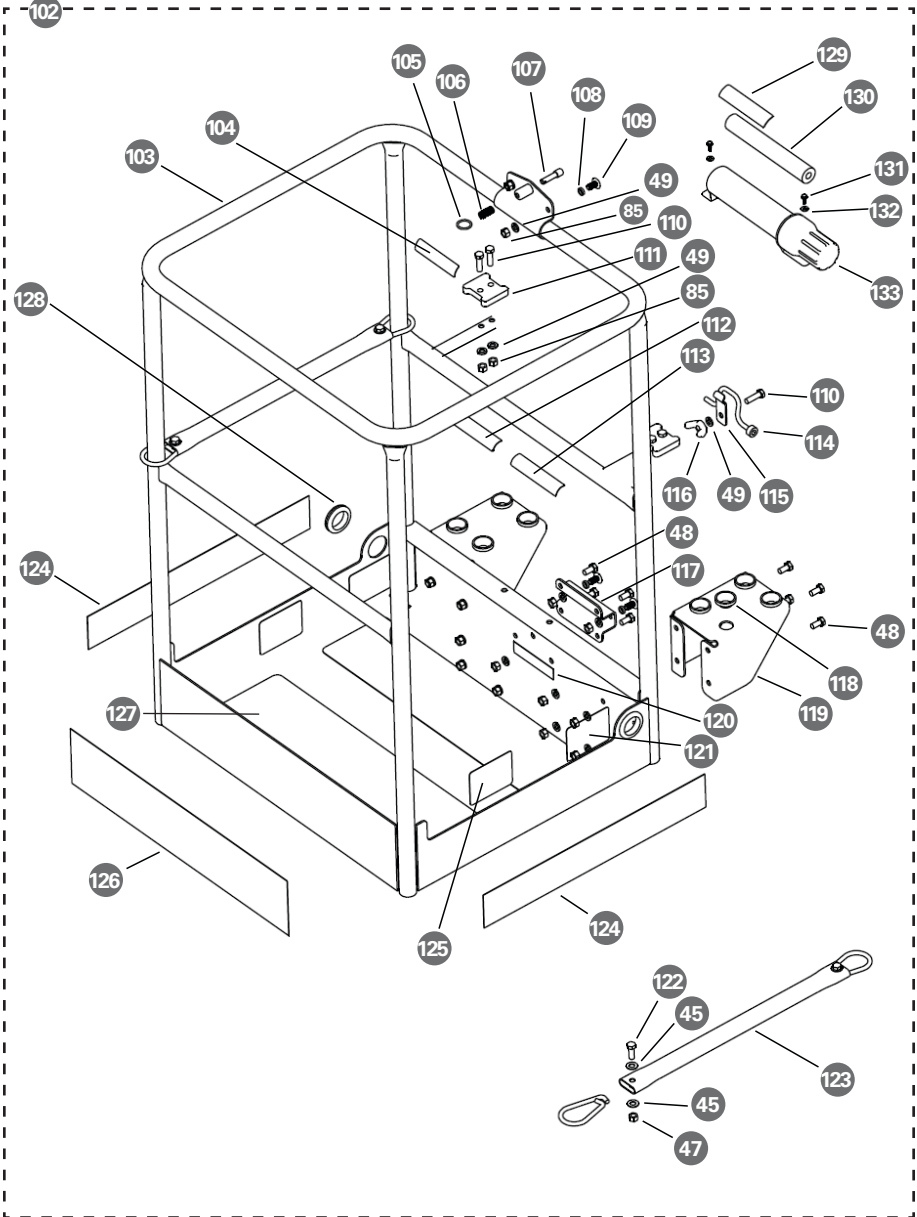


1.6 Climbing Unit Assembly



1.7 Platform Assembly

Platform Assembly



Notes:

REPLACEMENT PARTS

POWERLIFT REPLACEMENT PART CONTENTS & LOCATION

No.	Type	Part Number
1	Top Mast Assembly	4022916
2	Middle Mast Assembly	4022906
3	Base Mast Assembly	4022837
4	5/16 x 1 Socket Head Cap Screw	4022937
5	Mast Cap Plate	4022915
6	Upper Mast Section	4022830
7	Top MastTrack	4022914
8	Lower Mast Coupler Plate	4022886
9	3/4 External Retaining Ring	4022912
10	5/16 x 1-1/2 Socket Head Cap Screw	4022899
11	Lock Lever Spring	4022908
12	Lock Lever Shaft	4022910
13	Lock Lever	4022911
14	1/8 x 1 Roll Pin	4022907
15	1/2 External Retaining Ring	4022913
16	Connector Pin	4022888
17	Connector Pin Alignment Plate	4022981
18	Upper Mast Coupler Plate	4022887
19	Cam Lever	4022904
20	Cam Lever Spring	4022898
21	Cam Shaft	4022903
22	1/2 E-Style Retaining Ring	4022905
23	Middle MastTrack	4022909
24	3/8 Rivet Nut	4022409
25	Emergency Retraction Procedure	4026015
26	Base Mast Section	4022838
27	Retraction Winch Mount	4026025
28	Base Mast Mounting Plate	4022901
29	Base Mast Track	4022902
30	Base Mast Mounting Nut	4022890
31	Base Frame	4022836
32	5/16 x 3/4 Hex Head Cap Screw	911300
33	5" Locking Swivel Caster Wheel	4022927
34	5/16 Hex Nut	910306

POWERLIFT REPLACEMENT PART CONTENTS & LOCATION

No.	Type	Part Number
35	12" Flat Free Wheel	4022930
36	5/8 x 7 Hex Head Cap Screw	4022985
37	5/8 SAE Flat Washer	914702
38	5/8 Nylock Hex Nut	4022986
39	Non-Skid Cleat	4022987
40	Bubble Level	4026012
41	Bubble Level Label	4026021
42	3/8 x 3-1/4 Hex Head Cap Screw	911410
43	Roller Wheel Spacer Tube	4022984
44	4" Roller Wheel	4022929
45	3/8 SAE Flat Washer	914400
46	1-1/4 Tube Plug	4022121
47	3/8 Centerlock Hex Nut	910403
48	3/8 x 3/4 Hex Head Cap Screw	911400
49	3/8 Split Lock Washer	914402
50	Tilt Back Handle	4022835
51	Front Outrigger Assembly	4022843
52	Rear Outrigger Assembly	4022839
53	3/8 E-Style Retaining Ring	4022872
54	Outrigger Cap Retaining Pin	4022873
55	Front Outrigger Tube	4022860
56	Step Warning Front	4022876
57	Plunger Compression Spring	4022070
58	3/8 SAE Flat Washer	914400
59	Front Outrigger Plunger	4022978
60	Outrigger Plunger Cartridge	4022870
61	Plunger Roller Pin	4022842
62	Plunger Roller	4022871
63	1/2 Double Spring Pin	4022862
64	1-3/16 External Retaining Ring	4022867
65	Stabilizer Cam Nut	4022865
66	Outrigger End Cap	4022861
67	Stabilizer Bushing	4022866
68	Stabilizer Screw	4022376

REPLACEMENT PARTS

POWERLIFT REPLACEMENT PART CONTENTS & LOCATION

No.	Type	Part Number
69	10-32 x 7/16 Barrel Nut	4022337
70	Stabilizer Rubber Base	4022864
71	Stabilizer Foot Plate	4022863
72	10-32 x 7/16 Hex Flange Screw	4022406
73	Stabilizer Screw Spacer	4022991
74	3/8 x 2 Hex Head Cap Screw	911405
75	Step Warning Rear	4022874
76	Rear Outrigger Tube	4022859
77	Rear Outrigger Plunger	4022979
78	Outrigger Plunger Cap	4022844
79	3/8 Spring Pin	4026062
80	Retraction Tool Lower Tube	4026016
81	Winch Mount Knob	4026020
82	Winch Mount Bracket	4022993
83	Retraction Winch	4026013
84	Emergency Retraction Winch Label	4026026
85	3/8 Hex Nut	910401
86	Retraction Tool Upper Tube	4026017
87	Operating Instructions	4022983
88	Cone Brake Assembly	4026027
89	Gearbox with Cone Brake	4022980
90	Tip Over Hazard	4022982
91	Manufacturer Name Plate	4022992
92	Climbing Unit Frame	4022917
93	3/8 x 3/4 Thread Cutting Hex Screw	4022935
94	Interlock Pin Assembly	4022840
95	7/8 Tube Plug	4022936
96	7/8 External Retaining Ring	4022934
97	Guide Bearing Roller	4022931
98	Guide Bearing Pin	4022925
99	Guide Bearing	4022933
100	Guide Bearing Mount	4022924
101	Guide Bearing Stabilizer	4022919
102	Platform Assembly	4022880

POWERLIFT REPLACEMENT PART CONTENTS & LOCATION

No.	Type	Part Number
103	Platform Frame	4022878
104	Platform Latch Release	4026001
105	1" Key Ring	4022996
106	Quick Release Spring	4022997
107	Quick Release Pin	4022995
108	Platform Mount Spacer	4022894
109	3/8 x 3/4 Wide Head Machine Screw	4022896
110	3/8 x 1-1/4 Hex Head Cap Screw	911402
111	Mast Guide	4022893
112	Drive Shaft Brake Release	4026004
113	Crush Hazard	4026003
114	Manual Descent Crank	4022570
115	Crank Holder Bracket	4026006
116	3/8 Wing Nut	4022028
117	Lower Platform Mount	4022897
118	Mast Holder Bushing	4022975
119	Mast Holder	4022891
120	Manual Descent Crank Label	4026011
121	Anchor Point / Cord Throughway	4022999
122	3/8 x 1 Hex Head Cap Screw	911401
123	End Gate Tube	4022645
124	Platform Step Warning / Brand	4022976
125	Load Capacity / Electrocution	4022998
126	Front Logo	4022977
127	Anti-Skid Cleat	4022761
128	Chord / Tie Hole Grommet	4022895
129	Read Manual	4026005
130	PowerLift Operator Safety Manual	4026010
131	10-16 x 5/8 Self-Drilling Hex Screw	4022437
132	#10 SAE Flat Washer	4026086
133	Manual Storage Container	4026081
134	Cone Brake Shaft	4026124

ReechCraft.
PowerLiFT[™]

ReechCraft Inc.

P.O. Box 2426

Fargo, ND 58108

888.600.6160

www.reechcraft.com/powerlift