



PRODUCT GUIDE

TABLE OF CONTENTS

BRONCO™

Bronco	3
Bronco Replacement Feet + End Caps	3

POWERLIFT™

PowerLift PL-X4.....	4
PowerLift PL-X8.....	5
PowerLift PL-X12.....	6
PowerLift PL-X16.....	7
PowerLift PL-X20.....	8
PowerLift PL-XM Lift.....	9
PowerLift PL-XM Fixed Base	10
PowerLift PL-XM Compact Base.....	10
PowerLift PL-XM Outrigger Base	10
PowerLift PL-XM Straddle Base.....	10
PowerLift PL-XM Straddle Base Leg Extension (2 Pack)	10
PowerLift PL-XM 4 ft (1.22 m) Mast with Height Control	11
PowerLift PL-XM Platform Transport Wheel Kit	11
PowerLift Transport Handle + Wheel Kit	11
PowerLift Hitch Hauler	11
PowerLift Crane Hook Kit	11

POWERMAST™

PowerMast Climbing Unit	14
PowerMast Platform Support	14
PowerMast Side Mount T-bracket	14
PowerMast Single Mount Platform Assembly	14
PowerMast 5 ft (1.52 m) Mast.....	15
PowerMast 32 in. (813 mm) Mast.....	15
PowerMast Adjustable Tie	15
PowerMast Tie Extension (2 Pack)	15
PowerMast Freestanding Tri-mast Tie	16
PowerMast 10 in. (254 mm) x 10 in. (254 mm) Base Foot.....	16
PowerMast Freestanding Base	16
PowerMast Single Person Platform	16

POWERPOLE®

PowerPole Climbing Unit	17
PowerPole Platform Support with PowerLatch™ Connector	17
PowerPole Single Person Platform	17
PowerPole Speedrail Midrail Post (2 Pack).....	17
PowerPole Speedrail Endrail (2 Pack).....	18
PowerPole Standoff Tie.....	18
PowerPole Super Standoff Tie.....	18
PowerPole Extendable V-brace	18
PowerPole 4 ft (1.22 m) Pole Coupler	18
PowerPole 6 ft (1.83 m) Pole Section	19
PowerPole 12 ft (3.66 m) Pole Section	19
PowerPole 10 in. (254 mm) x 10 in. (254 mm) Base Foot	19
PowerPole Outrigger Base	19

Note: All product and shipping dimensions are length x width x height.

BRONCO - 4026200

The ReechCraft Bronco has an extra wide frame (up to 42-inch (1067 mm) base spread) and tapered tripod design that provides a stable base for planks up to 24 inches (610 mm). Its telescoping legs can adjust to any terrain, forming a safe, level platform perfect for siding, roofing, painting, windows, masonry work, and more. The aircraft-grade aluminum Bronco weighs only 16 pounds (7 kg) but can support 300 pounds (136 kg) each, or 600 pounds (272 kg) per pair. The Bronco has a maximum platform height of 5 feet (1.52 m), allowing for a maximum reach of 12 feet (3.66 m). Its tripod base adjusts for roof pitches up to 8/12. The Bronco is individually packaged and folds flat for easy storage and transport.

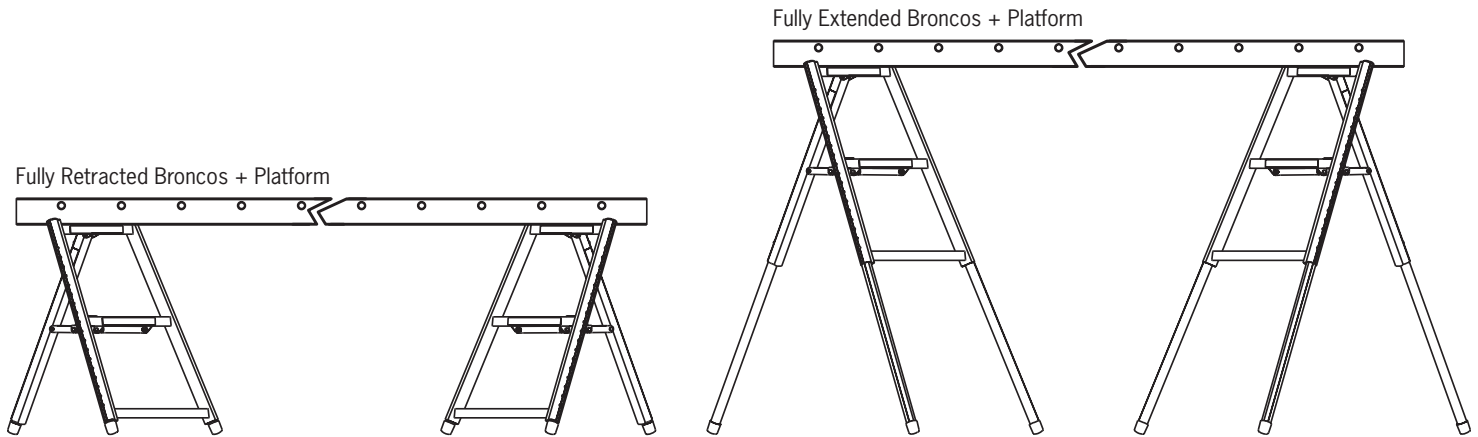
PRODUCT DIMENSIONS:

Fully Stowed: 3 in. (76 mm) x 37 in. (940 mm) x 35 in. (889 mm)

Fully Extended: 46 in. (1168 mm) x 37 in. (940 mm) x 56 in. (1422 mm)

SHIPPING DIMENSIONS: 34.5 in. (876 mm) x 37.5 in. (952 mm) x 4 in. (101 mm)

SHIPPING WEIGHT: 18 lbs (8 kg)



BRONCO REPLACEMENT FEET + END CAPS - 4027324

Kit of replacement feet and end caps for the Bronco all-terrain scaffold. Kit contains three feet caps (hard, black rubber with metal washer interior lining) and three end caps (hard, black plastic with self-sealing design).

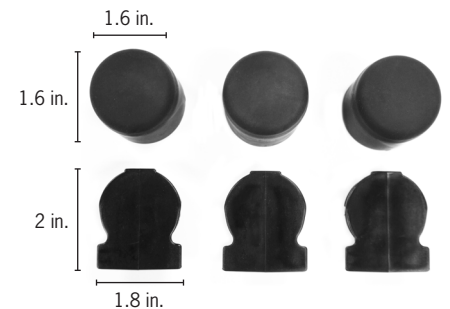
PRODUCT DIMENSIONS:

Feet Cap: 1.6 in. (40 mm) x 1.6 in. (41 mm) x 1.6 in. (41 mm)

End Cap: 2 in. (51 mm) x 1.8 in. (44 mm) x 1.6 in. (41 mm)

SHIPPING DIMENSIONS: 5 in. (127 mm) x 5.5 in. (140 mm) x 3 in. (76 mm)

SHIPPING WEIGHT: 1 lb (0.5 kg)



POWERLIFT™

POWERLIFT PL-X4 - 4028202

The PowerLift PL-X4 push-around lift has a maximum platform height of 4 feet (1.22 m) and features ReechCraft's compact base. This base offers instant access, is easy to maneuver, and automatically stabilizes when the platform is raised. The PowerLift PL-X4's shorter platform height and ease of use makes it an excellent option for smaller jobs that require especially quick access. The PowerLift PL-X4 is powered by a cordless drill (not included), and the gearbox includes an integrated overspeed brake for added safety. For indoor use only.

PRODUCT DIMENSIONS: 57 in. (1448 mm) x 30 in. (762 mm) x 89.5 in. (2273 mm)

SHIPPING DIMENSIONS: 56 in. (1422 mm) x 36 in. (914 mm) x 70 in. (1778 mm)

SHIPPING WEIGHT: 474 lbs (215 kg)

POWERLIFT PL-X4 SPECIFICATIONS

Platform Capacity	350 lbs (159 kg)
Power Source	AC or DC Drill
Drive	Gear Drive with Integrated Brake
Maximum Manual Force	45 lbs (200 N)
Maximum Wind Speed	0 mph (0 m/min) (For Indoor Use Only)
Maximum Chassis Inclination	0 Degrees
Platform Size (L x W)	23.3 in. (592 mm) x 24.8 in. (630 mm)
Swivel/Lockable Caster Diameter	8 in. (203 mm)
Machine Weight	415 lbs (188 kg)
Stowed Length	57 in. (1448 mm)
Stowed Width	30 in. (762 mm)
Stowed Height	67.5 in. (1715 mm)
Minimum Platform Height	16.5 in. (419 mm)
Ground Footprint Width	30 in. (762 mm)
Ground Footprint Length	47 in. (1194 mm)
Distance from Wall Side	1.5 in. (38 mm)
Distance from Wall Front	5.5 in. (140 mm)
Erected Mast Height	67.5 in. (1715 mm)
Maximum Platform Height	44.4 in. (1128 mm)
Maximum Extended Height	89.5 in. (2273 mm)
Maximum Working Height	116.4 in. (2957 mm)*

*Based on platform height plus 6 ft (1.8 m).

Note: Specifications subject to change without notice.



POWERLIFT PL-X8 - 4028204

The PowerLift PL-X8 push-around lift has a maximum platform height of 8 feet (2.44 m) and features ReechCraft's compact base. This base offers instant access, is easy to maneuver, and automatically stabilizes when the platform is raised. The PowerLift PL-X8's shorter platform height and ease of use makes it an excellent option for smaller jobs that require especially quick access. The PowerLift PL-X8 is powered by a cordless drill (not included), and the gearbox includes an integrated overspeed brake for added safety. For indoor use only.

PRODUCT DIMENSIONS: 57 in. (1448 mm) x 30 in. (762 mm) x 137 in. (3480 mm)

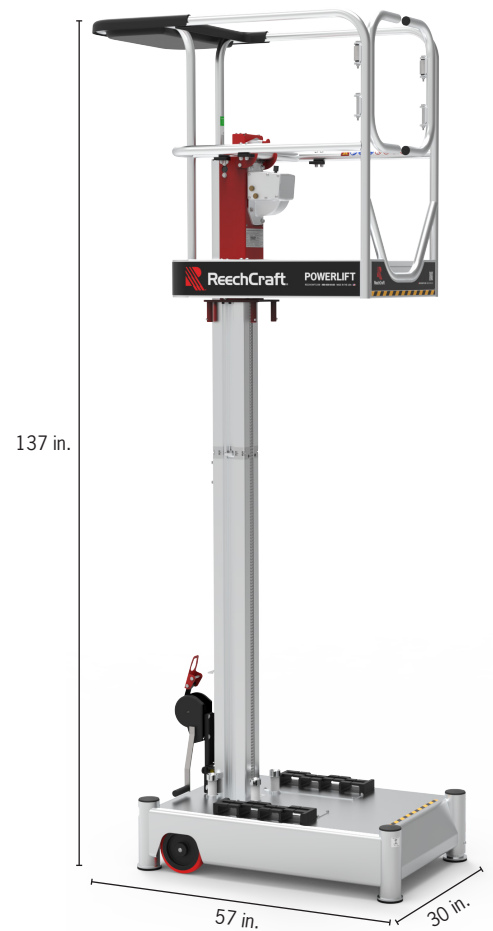
SHIPPING DIMENSIONS: 56 in. (1422 mm) x 36 in. (914 mm) x 70 in. (1778 mm)

SHIPPING WEIGHT: 554 lbs (251 kg)

POWERLIFT PL-X8 SPECIFICATIONS	
Platform Capacity	350 lbs (159 kg)
Power Source	AC or DC Drill
Drive	Gear Drive with Integrated Brake
Maximum Manual Force	45 lbs (200 N)
Maximum Wind Speed	0 mph (0 m/min) (For Indoor Use Only)
Maximum Chassis Inclination	0 Degrees
Platform Size (L x W)	23.3 in. (592 mm) x 24.8 in. (630 mm)
Swivel/Lockable Caster Diameter	8 in. (203 mm)
Machine Weight	525 lbs (238 kg)
Stowed Length	57 in. (1448 mm)
Stowed Width	30 in. (762 mm)
Stowed Height	67.5 in. (1715 mm)
Minimum Platform Height	16.5 in. (419 mm)
Ground Footprint Width	30 in. (762 mm)
Ground Footprint Length	47 in. (1194 mm)
Distance from Wall Side	1.5 in. (38 mm)
Distance from Wall Front	5.5 in. (140 mm)
Erected Mast Height	115 in. (2921 mm)
Maximum Platform Height	92.4 in. (2347 mm)
Maximum Extended Height	137 in. (3480 mm)
Maximum Working Height	164.4 in. (4176 mm)*

*Based on platform height plus 6 ft (1.8 m).

Note: Specifications subject to change without notice.



POWERLIFT™

POWERLIFT PL-X12 - 4028200

The PowerLift PL-X12 push-around lift has a maximum platform height of 12 feet (3.66 m) and features ReechCraft's compact base. This base offers instant access, is easy to maneuver, and automatically stabilizes when the platform is raised. The PowerLift PL-X12's shorter platform height and ease of use makes it an excellent option for smaller jobs that require especially quick access. The PowerLift PL-X12 is powered by a cordless drill (not included), and the gearbox includes an integrated overspeed brake for added safety. For indoor use only.

PRODUCT DIMENSIONS: 57 in. (1448 mm) x 30 in. (762 mm) x 185 in. (4699 mm)

SHIPPING DIMENSIONS: 56 in. (1422 mm) x 36 in. (914 mm) x 70 in. (1778 mm)

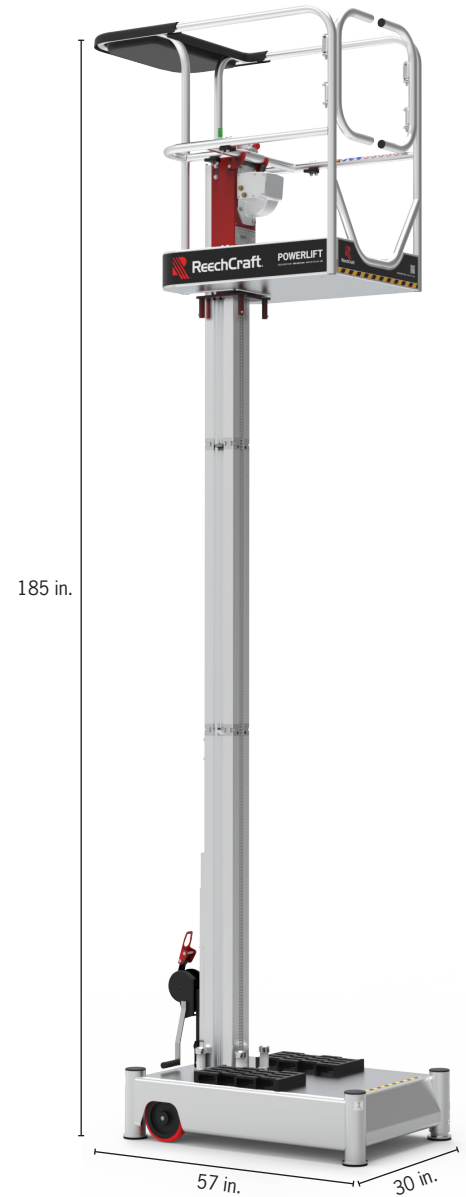
SHIPPING WEIGHT: 855 lbs (388 kg)

POWERLIFT PL-X12 SPECIFICATIONS

Platform Capacity	350 lbs (159 kg)
Power Source	AC or DC Drill
Drive	Gear Drive with Integrated Brake
Maximum Manual Force	45 lbs (200 N)
Maximum Wind Speed	0 mph (0 m/min) (For Indoor Use Only)
Maximum Chassis Inclination	0 Degrees
Platform Size (L x W)	23.3 in. (592 mm) x 24.8 in. (630 mm)
Swivel/Lockable Caster Diameter	8 in. (203 mm)
Machine Weight	824 lbs (374 kg)
Stowed Length	57 in. (1448 mm)
Stowed Width	30 in. (762 mm)
Stowed Height	67.5 in. (1715 mm)
Minimum Platform Height	16.5 in. (419 mm)
Ground Footprint Width	30 in. (762 mm)
Ground Footprint Length	47 in. (1194 mm)
Distance from Wall Side	1.5 in. (38 mm)
Distance from Wall Front	5.5 in. (140 mm)
Erected Mast Height	163 in. (4140 mm)
Maximum Platform Height	140.4 in. (3566 mm)
Maximum Extended Height	185 in. (4699 mm)
Maximum Working Height	212.4 in. (5395 mm)*

*Based on platform height plus 6 ft (1.8 m).

Note: Specifications subject to change without notice.



POWERLIFT PL-X16 - 4028206

The PowerLift PL-X16 push-around lift is a triple threat: convenient, secure, and easy to use. The adjustable outrigger base quickly accommodates uneven surfaces to create a stable foundation, and the caster wheels will not leave marks. The PowerLift PL-X16's stackable mast sections make it customizable to your height requirements up to 16 feet (4.88 m). The PowerLift PL-X16 is powered by a cordless drill (not included), and the gearbox includes an integrated overspeed brake for added safety. For indoor use only.

PRODUCT DIMENSIONS: 67.2 in. (1707 mm) x 64.7 in. (1643 mm) x 234 in. (5944 mm)

SHIPPING DIMENSIONS: 56 in. (1422 mm) x 36 in. (914 mm) x 68 in. (1727 mm)

SHIPPING WEIGHT: 438 lbs (199 kg)

POWERLIFT PL-X16 SPECIFICATIONS	
Platform Capacity	350 lbs (159 kg)
Power Source	AC or DC Drill
Drive	Gear Drive with Integrated Brake
Maximum Manual Force	45 lbs (200 N)
Maximum Wind Speed	0 mph (0 m/min) (For Indoor Use Only)
Maximum Chassis Inclination	0 Degrees
Platform Size (L x W)	23.3 in. (592 mm) x 24.8 in. (630 mm)
Swivel/Lockable Caster Diameter	5 in. (127 mm)
Machine Weight	394 lbs (179 kg)
Stowed Length	51.5 in. (1308 mm)
Stowed Width	30 in. (762 mm)
Stowed Height	69 in. (1753 mm)
Minimum Platform Height	13.5 in. (343 mm)
Ground Footprint Width	67.2 in. (1707 mm)
Ground Footprint Length	64.7 in. (1643 mm)
Distance from Wall Side	20 in. (508 mm)
Distance from Wall Front	10 in. (254 mm)
Erected Mast Height	212 in. (5385 mm)
Maximum Platform Height	189.6 in. (4816 mm)
Maximum Extended Height	234 in. (5944 mm)
Maximum Working Height	261.6 in. (6645 mm)*

*Based on platform height plus 6 ft (1.8 m).

Note: Specifications subject to change without notice.



POWERLIFT™

POWERLIFT PL-X20 - 4028207

The PowerLift PL-X20 push-around lift is a triple threat: convenient, secure, and easy to use. The adjustable outrigger base quickly accommodates uneven surfaces to create a stable foundation, and the caster wheels will not leave marks. The PowerLift PL-X20's stackable mast sections make it customizable to your height requirements up to 20 feet (6.10 m). The PowerLift PL-X20 is powered by a cordless drill (not included), and the gearbox includes an integrated overspeed brake for added safety. For indoor use only.

PRODUCT DIMENSIONS: 67.2 in. (1707 mm) x 64.7 in. (1643 mm) x 282 in. (7163 mm)

SHIPPING DIMENSIONS: 56 in. (1422 mm) x 36 in. (914 mm) x 68 in. (1727 mm)

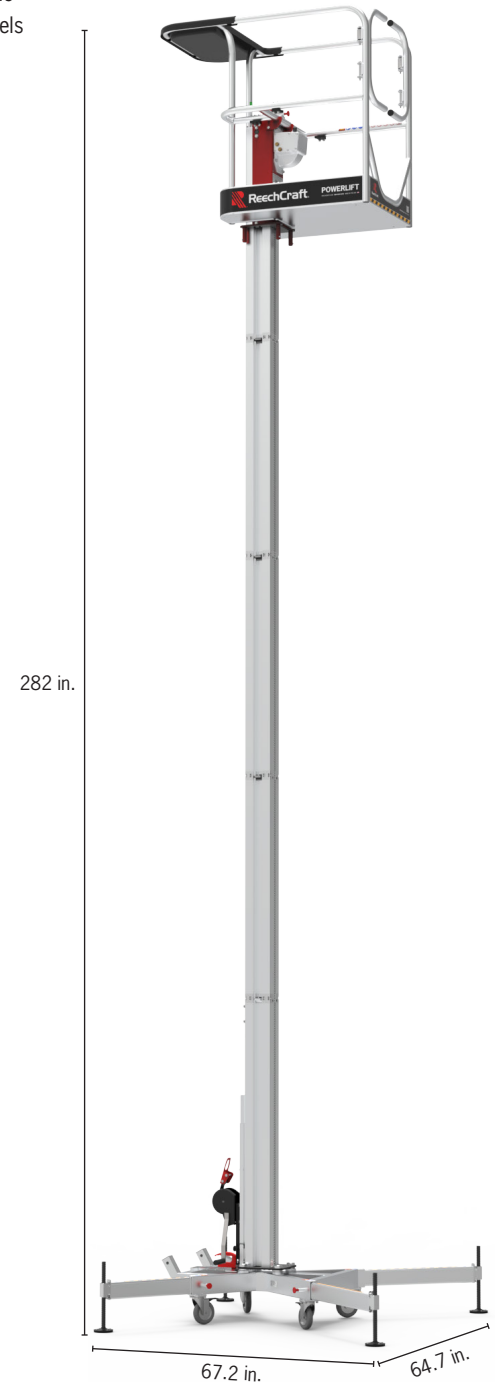
SHIPPING WEIGHT: 564 lbs (256 kg)

POWERLIFT PL-X20 SPECIFICATIONS

Platform Capacity	350 lbs (159 kg)
Power Source	AC or DC Drill
Drive	Gear Drive with Integrated Brake
Maximum Manual Force	45 lbs (200 N)
Maximum Wind Speed	0 mph (0 m/min) (For Indoor Use Only)
Maximum Chassis Inclination	0 Degrees
Platform Size (L x W)	23.3 in. (592 mm) x 24.8 in. (630 mm)
Swivel/Lockable Caster Diameter	5 in. (127 mm)
Machine Weight	518 lbs (235 kg)
Stowed Length	51.5 in. (1308 mm)
Stowed Width	30 in. (762 mm)
Stowed Height	69 in. (1753 mm)
Minimum Platform Height	13.5 in. (343 mm)
Ground Footprint Width	67.2 in. (1707 mm)
Ground Footprint Length	64.7 in. (1643 mm)
Distance from Wall Side	20 in. (508 mm)
Distance from Wall Front	10 in. (254 mm)
Erected Mast Height	260 in. (6604 mm)
Maximum Platform Height	237.6 in. (6035 mm)
Maximum Extended Height	282 in. (7163 mm)
Maximum Working Height	309.6 in. (7864 mm)*

*Based on platform height plus 6 ft (1.8 m).

Note: Specifications subject to change without notice.



POWERLIFT PL-XM MODULAR SYSTEM

The PowerLift PL-XM modular system is the lightest, most versatile lift on the market. With four base options, this modular lift makes reaching difficult places easy. The PowerLift PL-XM is available with your choice of a compact base for quick access in narrow spaces, a fixed base for an incredibly small footprint, an outrigger base for easy access on uneven surfaces, and a straddle base for working over obstacles like pews or theater seats. All the components of the PowerLift PL-XM can be carried up slopes or stairs, making transportation a breeze. The PowerLift PL-XM is powered by a cordless drill, and the gearbox includes an integrated overspeed brake for added safety. It also comes equipped with a height control feature that keeps workers at heights within the capability of the respective base they are using. For indoor use only.



PL-XM + COMPACT BASE

- Platform height up to 12 ft (3.66 m)
- Shown with 4027900 and 4028187

PL-XM + FIXED BASE

- Platform height up to 20 ft (6.10 m)
- Shown with 4027900, 4028239, and 4028198 (x3)

PL-XM + OUTRIGGER BASE

- Platform height up to 20 ft (6.10 m)
- Shown with 4027900, 4028186, and 4028198 (x3)

PL-XM + STRADDLE BASE

- Platform height up to 24 ft (7.32 m)
- Shown with 4027900, 4028238, and 4028198 (x3)

POWERLIFT PL-XM LIFT - 4027900

The PowerLift PL-XM lift includes a platform, climbing unit, base mast, and top mast. It features front entry gates that swing open, a large work area, and easily accessible tool tray, providing ample working space for you, your tools, and your equipment. The PowerLift PL-XM lift is powered by a cordless drill, and the gearbox includes an integrated overspeed brake for added safety. It also comes equipped with a height control feature that keeps workers at heights within the capability of the respective base they are using. The platform is highly portable and quickly attaches to the climbing unit. For use with the PowerLift PL-XM compact, outrigger, fixed, and straddle bases.

PRODUCT DIMENSIONS: 30 in. (762 mm) x 29 in. (737 mm) x 56.5 in. (1435 mm)

SHIPPING DIMENSIONS: Depends upon base configuration

SHIPPING WEIGHT: Depends upon base configuration



POWERLIFT™

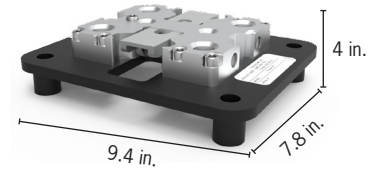
POWERLIFT PL-XM FIXED BASE - 4028239

The fixed base option can be temporarily or permanently attached to a concrete floor or other structure to provide a base for the PowerLift PL-XM lift (4027900). This base has a maximum platform height of 20 feet (6.10 m).

PRODUCT DIMENSIONS: 9.4 in. (239 mm) x 7.8 in. (198 mm) x 4 in. (102 mm)

SHIPPING DIMENSIONS: 11 in. (279 mm) x 11 in. (279 mm) x 6 in. (152 mm)

SHIPPING WEIGHT: 12 lbs (5 kg)



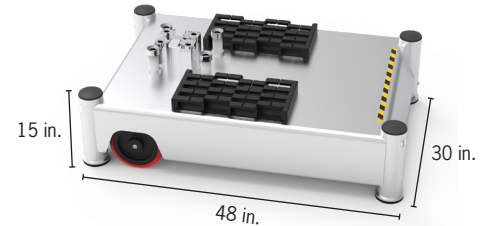
POWERLIFT PL-XM COMPACT BASE - 4028187

The compact base option allows for instant access in tight spaces. The base automatically engages and rests on the ground when the platform is raised to keep you stable. It is great for use in residential and commercial settings, such as gyms, churches, and schools. This base has a maximum platform height of 12 feet (3.66 m). For use with the PowerLift PL-XM lift (4027900).

PRODUCT DIMENSIONS: 48 in. (1219 mm) x 30 in. (762 mm) x 15 in. (381 mm)

SHIPPING DIMENSIONS: 48 in. (1219 mm) x 36 in. (914 mm) x 15 in. (381 mm)

SHIPPING WEIGHT: 650 lbs (295 kg)



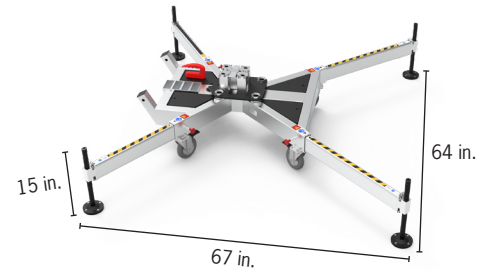
POWERLIFT PL-XM OUTRIGGER BASE - 4028186

The outrigger base option allows you to use the PowerLift PL-XM on uneven surfaces. The non-marking caster wheels are great for use in residential and commercial settings, such as gyms, churches, and schools. This base has a maximum platform height of 20 feet (6.10 m). For use with the PowerLift PL-XM lift (4027900).

PRODUCT DIMENSIONS: 67 in. (1702 mm) x 64 in. (1626 mm) x 15 in. (381 mm)

SHIPPING DIMENSIONS: 54 in. (1372 mm) x 36 in. (914 mm) x 16 in. (406 mm)

SHIPPING WEIGHT: 300 lbs (136 kg)



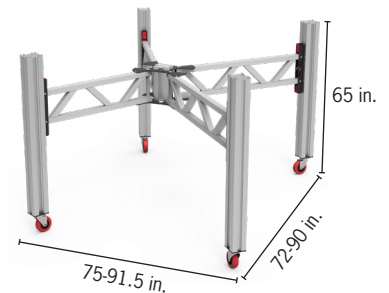
POWERLIFT PL-XM STRADDLE BASE - 4028238

The straddle base option allows you access over obstacles such as pews or desks. Additionally, the legs are independently adjustable for use on stairs or slanted floors as in an auditorium or theater setting. With the straddle base option, the PowerLift PL-XM has a maximum platform height of 24 feet (7.32 m). For use with the PowerLift PL-XM lift (4027900).

PRODUCT DIMENSIONS: 75-91.5 in. (1905-2324 mm) x 72-90 in. (1829-2286 mm) x 65 in. (1651 mm)

SHIPPING DIMENSIONS: 65 in. (1651 mm) x 42 in. (1067 mm) x 24 in. (610 mm)

SHIPPING WEIGHT: 308 lbs (140 kg)



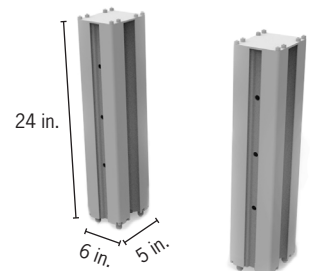
POWERLIFT PL-XM STRADDLE BASE LEG EXTENSION (2 PACK) - 4027399

The PowerLift PL-XM straddle base leg extension allows for additional adjustment on two sides of the straddle base. Includes two extensions.

PRODUCT DIMENSIONS: 6 in. (152 mm) x 5 in. (127 mm) x 24 in. (610 mm)

SHIPPING DIMENSIONS: 13 in. (330 mm) x 6 in. (152 mm) x 24 in. (610 mm)

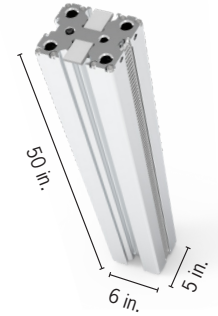
SHIPPING WEIGHT: 30 lbs (14 kg)



POWERLIFT PL-XM 4 FT (1.22 M) MAST WITH HEIGHT CONTROL - 4028198

The PowerLift PL-XM lift (4027900) comes with high-strength aluminum alloy masts to give you approximately 8 feet (2.44 m) of lift. Add up to three additional 4-foot (1.22 m) masts for a maximum of 20 feet (6.10 m) of lift! These masts include a proprietary height control feature, automatic over-top stop, and quick, tools-free connection to ensure efficiency and safety while stacking masts. Each mast has a redundant locking feature that requires the mast connections to be locked in place before raising the climbing unit. **Note:** Height control is only available on the PL-XM model.

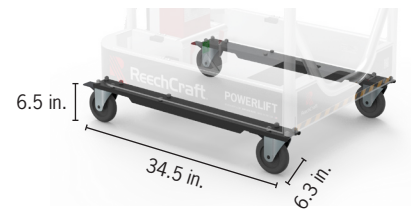
- PRODUCT DIMENSIONS:** 6 in. (152 mm) x 5 in. (127 mm) x 50 in. (1270 mm)
- SHIPPING DIMENSIONS:** 6 in. (152 mm) x 5 in. (127 mm) x 50 in. (1270 mm)
- SHIPPING WEIGHT:** 29 lbs (13 kg)



POWERLIFT PL-XM PLATFORM TRANSPORT WHEEL KIT - 4027517

The PowerLift PL-XM platform transport wheel kit option attaches to the PowerLift PL-XM platform and allows the baseless PowerLift PL-XM (4027900) to be neatly stowed and more easily transferred to the work location.

- PRODUCT DIMENSIONS:** 34.5 in. (876 mm) x 6.3 in. (159 mm) x 6.5 in. (165 mm)
- SHIPPING DIMENSIONS:** 36 in. (914 mm) x 8.5 in. (216 mm) x 8.5 in. (216 mm)
- SHIPPING WEIGHT:** 18 lbs (8 kg)



POWERLIFT TRANSPORT HANDLE + WHEEL KIT - 4028164

The transport handle and wheel kit can be attached to the PowerLift PL-X16, PL-X20, and PL-XM with the outrigger base option. This will allow the lift to be maneuvered over uneven surfaces with ease. It is great for transporting from jobsite to jobsite. **Note:** The transport handle and wheel kit is required for use with our Hitch Hauler (4026236).

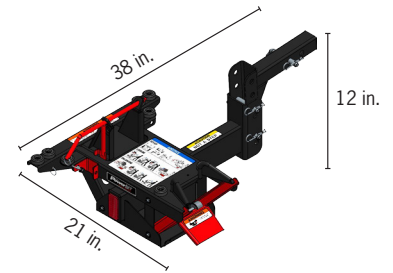
- PRODUCT DIMENSIONS:**
- Wheel:** 4 in. (102 mm) x 12 in. (305 mm) x 12 in. (305 mm)
- Handle:** 21.5 in. (546 mm) x 8 in. (203 mm) x 5.5 in. (140 mm)
- SHIPPING DIMENSIONS:** 24 in. (610 mm) x 16 in. (406 mm) x 6 in. (152 mm)
- SHIPPING WEIGHT:** 12 lbs (5 kg)



POWERLIFT HITCH HAULER - 4026236

The convenient Hitch Hauler eliminates the need for a truck or trailer to transport the PowerLift PL-X16, PL-X20, and PL-XM with an outrigger base. This option allows any vehicle with a type II receiver hitch to transport the PowerLift in town or on the highway. Loads, unloads, and secures in under 15 seconds. No ropes, chains, or straps required. **Note:** The transport handle and wheel kit (4027519) is required for use with our Hitch Hauler.

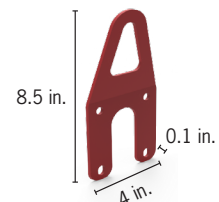
- PRODUCT DIMENSIONS:** 38 in. (965 mm) x 21 in. (533 mm) x 12 in. (305 mm)
- SHIPPING DIMENSIONS:** 28.5 in. (724 mm) x 22.3 in. (565 mm) x 13.5 in. (343 mm)
- SHIPPING WEIGHT:** 50 lbs (23 kg)



POWERLIFT CRANE HOOK KIT - 4026616

The PowerLift crane hook kit provides safe and convenient boom truck loading and fits all the PowerLift models.

- PRODUCT DIMENSIONS:** 4 in. (102 mm) x 0.1 in. (3 mm) x 8.5 in. (216 mm)
- SHIPPING DIMENSIONS:** 4 in. (102 mm) x 0.1 in. (3 mm) x 8.6 in. (219 mm)
- SHIPPING WEIGHT:** 1 lb (0.5 kg)



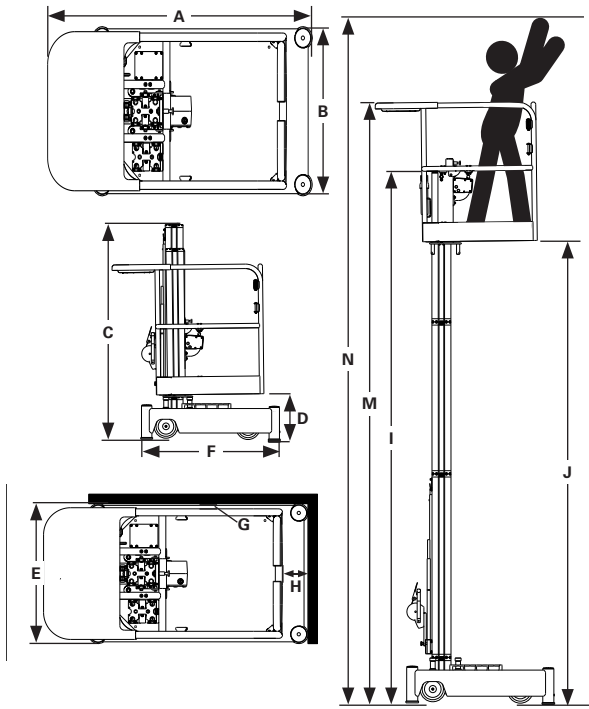
POWERLIFT™

POWERLIFT PL-XM SPECIFICATIONS		COMPACT BASE 4028187	FIXED BASE 4028239	OUTRIGGER BASE 4028186	STRADDLE BASE 4028238
	Platform Capacity	350 lbs (159 kg)			
	Power Source	AC or DC Drill			
	Drive	Gear Drive with Integrated Brake			
	Maximum Manual Force	45 lbs (200 N)			
	Maximum Wind Speed	0 mph (0 m/min) (For Indoor Use Only)			
	Maximum Chassis Inclination	0 Degrees			
	Platform Size (L x W)	23.3 in. (592 mm) x 24.8 in. (630 mm)			
	Swivel/Lockable Caster Diameter	8 in. (203 mm)	N/A	5 in. (127 mm)	6 in. (152 mm)
	Maximum Machine Weight	742 lbs (337 kg) [†]	350 lbs (159 kg) [†]	547 lbs (248 kg) [†]	520 lbs (236 kg) [†]
	Flat Free Transport Wheels Diameter	N/A	N/A	12 in. (305 mm)	N/A
A	Stowed Length	57 in. (1448 mm)	51.5 in. (1308 mm)	51.5 in. (1308 mm)	36 in. (914 mm)
B	Stowed Width	30 in. (762 mm)	28.5 in. (724 mm)	30 in. (762 mm)	30 in. (762 mm)
C	Stowed Height	72.5 in. (1842 mm)	63.5 in. (1613 mm)	74 in. (1880 mm)	N/A
D	Minimum Platform Height	16.5 in. (419 mm)	6 in. (152 mm)	13.5 in. (343 mm)	N/A
E	Ground Footprint Width	30 in. (762 mm)	N/A	67.2 in. (1707 mm)	86-106 in. (2184-2692 mm)
F	Ground Footprint Length	47 in. (1194 mm)	N/A	64.7 in. (1643 mm)	81.5-104 in. (2070-2642 mm)
G	Distance from Wall Side	1.5 in. (38 mm)	N/A	20 in. (508 mm)	28-38 in. (711-965 mm)
H	Distance from Wall Front	5.5 in. (140 mm)	N/A	10 in. (254 mm)	20-29 in. (508-737 mm)
I	Erected Mast Height	168 in. (4267 mm)	255 in. (6477 mm)	265 in. (6731 mm)	314 in. (7975 mm)
J	Maximum Platform Height	145.2 in. (3688 mm)	232.8 in. (5913 mm)	242.4 in. (6157 mm)	288 in. (7320 mm)
K	Maximum Leg Offset	N/A	N/A	N/A	25-63 in. (635-1600 mm)
L	Maximum Straddle Height	N/A	N/A	N/A	48 in. (1220 mm)
M	Maximum Extended Height	190 in. (4826 mm)	287 in. (7290 mm)	277 in. (7036 mm)	336 in. (8534 mm)
N	Maximum Working Height	217.2 in. (5517 mm) [*]	304.8 in. (7742 mm) [*]	314.4 in. (7986 mm) [*]	360 in. (9140 mm) [*]

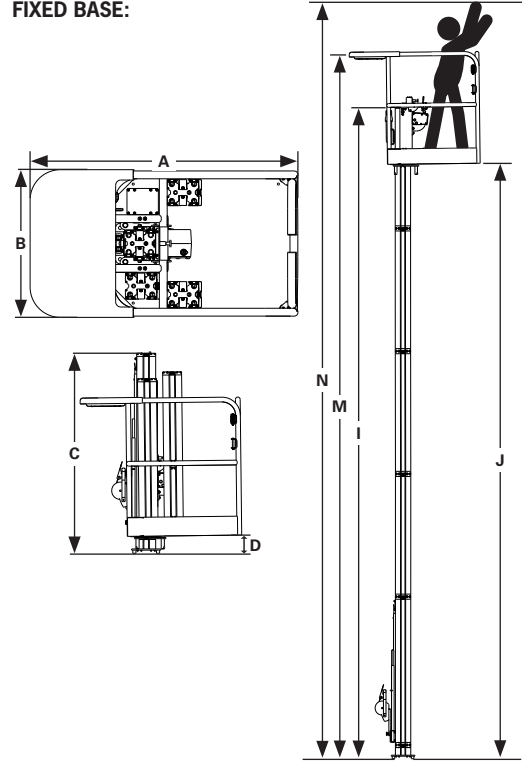
^{*}Based on platform height plus 6 ft (1.8 m).

Note: Specifications subject to change without notice.

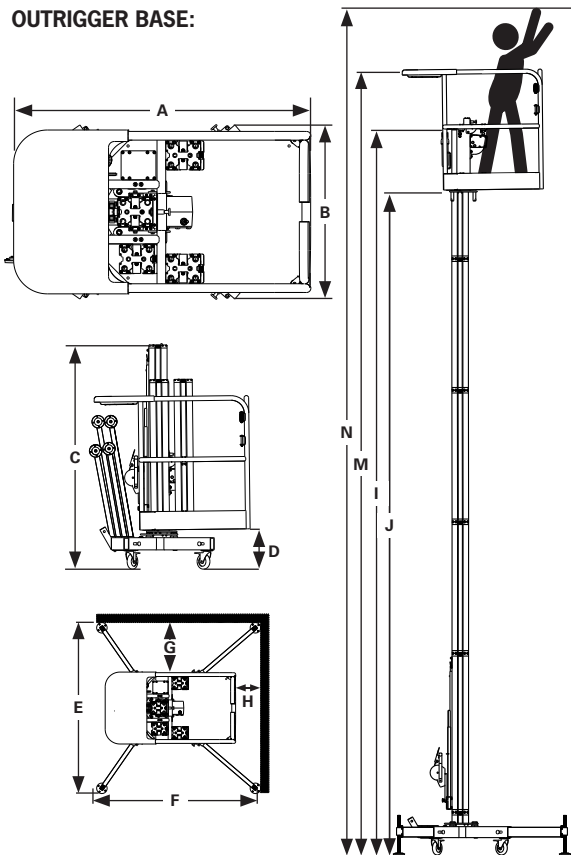
COMPACT BASE:



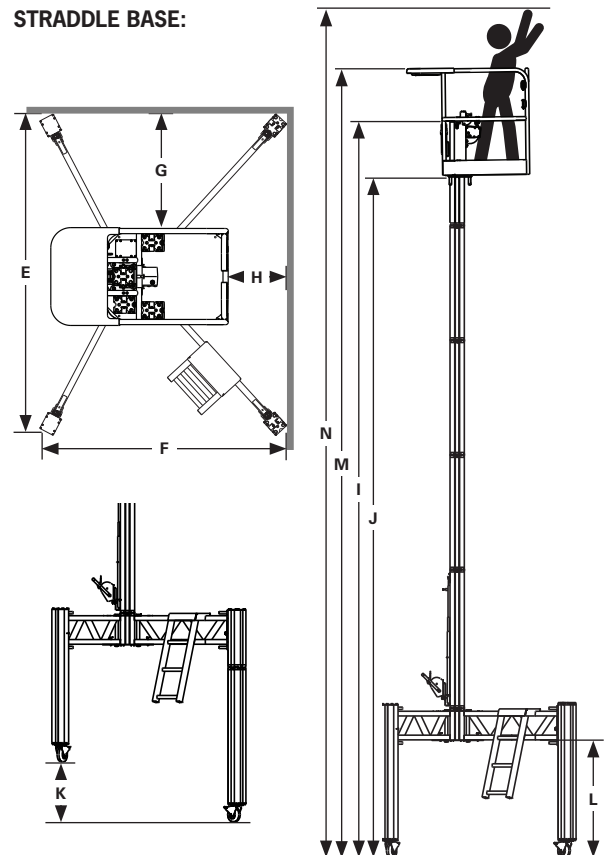
FIXED BASE:



OUTRIGGER BASE:



STRADDLE BASE:



POWERMAST™

POWERMAST CLIMBING UNIT - 4026151

The PowerMast climbing unit ensures safe and reliable performance thanks to features such as a gearbox with overload clutch, overspeed brake, and lock lever. Powered by a 1/2-inch drill (not included), the durable PowerTrak™ drive system has up to a 1500-pound (680 kg) load capacity and can be erected from the ground up. It also includes attachment interfaces for the platform support and single mount platform assembly.

PRODUCT DIMENSIONS: 12.6 in. (320 mm) x 10.6 in. (269 mm) x 59 in. (1499 mm)

SHIPPING DIMENSIONS: 13 in. (330 mm) x 12.5 in. (318 mm) x 60 in. (1524 mm)

SHIPPING WEIGHT: 57 lbs (26 kg)



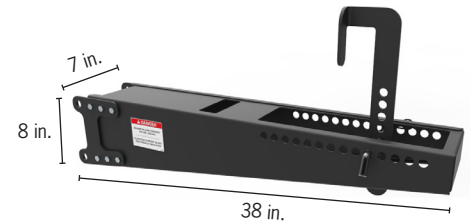
POWERMAST PLATFORM SUPPORT - 4026156

The PowerMast platform support features a quick-attach mount system, fastening to the climbing unit with four quick-locking pins. It is adjustable from 20-33 inches (508-838 mm) to accommodate most platform and rail systems.

PRODUCT DIMENSIONS: 38 in. (965 mm) x 7 in. (178 mm) x 8 in. (203 mm)

SHIPPING DIMENSIONS: 40 in. (1016 mm) x 10 in. (254 mm) x 10 in. (254 mm)

SHIPPING WEIGHT: 29 lbs (13 kg)



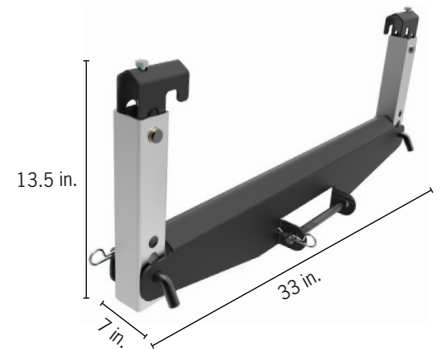
POWERMAST SIDE MOUNT T-BRACKET - 4027650

The PowerMast side mount t-bracket features a quick-attach mount system, fastening to the platform support with two quick-locking pins. It allows the climbing unit to be mounted on the end of a platform, freeing up space on the sides of the platform for more wall access. This bracket accommodates most platform and rail systems.

PRODUCT DIMENSIONS: 33 in. (838 mm) x 7 in. (178 mm) x 13.5 in. (343 mm)

SHIPPING DIMENSIONS: 36 in. (914 mm) x 7 in. (178 mm) x 7 in. (178 mm)

SHIPPING WEIGHT: 25 lbs (11 kg)



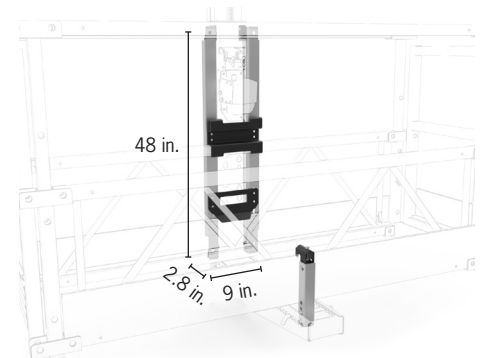
POWERMAST SINGLE MOUNT PLATFORM ASSEMBLY - 4027185

The single mount platform assembly attaches to the PowerMast climbing unit and allows the attachment of platforms from manufacturers other than ReechCraft. It features a rigid aluminum construction and easy assembly thanks to its quick-attach design.

PRODUCT DIMENSIONS: 9 in. (229 mm) x 2.8 in. (70 mm) x 48 in. (1219 mm)

SHIPPING DIMENSIONS: 9.5 in. (241 mm) x 6 in. (152 mm) x 48.5 in. (1232 mm)

SHIPPING WEIGHT: 25 lbs (11 kg)



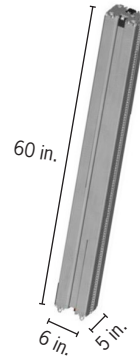
POWERMAST 5 FT (1.52 M) MAST - 4026375

The PowerMast features a quick, tools-free connection to ensure efficiency and safety while stacking masts. Each high-strength, aluminum alloy mast includes an automatic over-top stop and a redundant locking feature that requires each mast connection to be locked in place before raising the climbing unit.

PRODUCT DIMENSIONS: 6 in. (152 mm) x 5 in. (127 mm) x 60 in. (1524 mm)

SHIPPING DIMENSIONS: 6 in. (152 mm) x 5 in. (127 mm) x 60 in. (1524 mm)

SHIPPING WEIGHT: 35 lbs (16 kg)



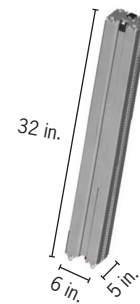
POWERMAST 32 IN. (813 MM) MAST - 4022906

The PowerMast features a quick, tools-free connection to ensure efficiency and safety while stacking masts. Each high-strength, aluminum alloy mast includes an automatic over-top stop and a redundant locking feature that requires each mast connection to be locked in place before raising the climbing unit.

PRODUCT DIMENSIONS: 6 in. (152 mm) x 5 in. (127 mm) x 32 in. (813 mm)

SHIPPING DIMENSIONS: 6 in. (152 mm) x 5 in. (127 mm) x 32 in. (813 mm)

SHIPPING WEIGHT: 21 lbs (10 kg)



POWERMAST ADJUSTABLE TIE - 4026377

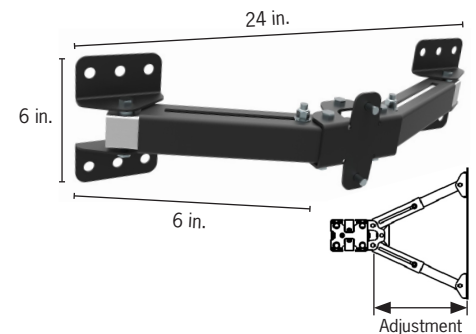
The PowerMast adjustable tie provides a wide variety of attachment options for the PowerMast system. Bring the mast 6 to 16 inches (152-406 mm) away from the wall with this bracket, or purchase extra extension tubes to extend even further. The adjustable tie folds in half for easy storage.

PRODUCT DIMENSIONS: 24 in. (610 mm) x 6 in. (152 mm) x 6 in. (152 mm)

SHIPPING DIMENSIONS: 17 in. (432 mm) x 6 in. (152 mm) x 6.5 in. (165 mm)

ADJUSTMENT: 6-16 in. (152-406 mm)

SHIPPING WEIGHT: 8 lbs (4 kg)

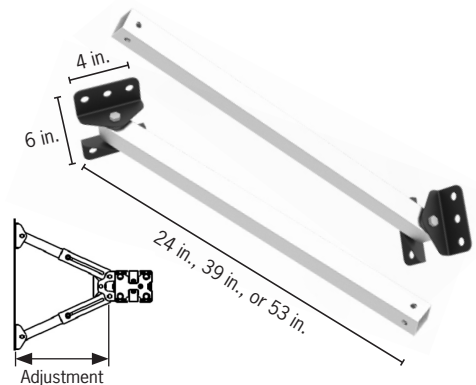


POWERMAST TIE EXTENSION (2 PACK) - 4026648, 4027999, 4028101

The PowerMast tie extensions replace the standard tubes on the adjustable tie (4026377) to mount further from the wall for large wall obstructions or offsets. Three sizes of tie extensions are available to meet your project needs.

ITEM # :	ADJUSTMENT:	PRODUCT DIMENSIONS:
4026648	12-29 in. (305-737 mm)	24 in. (610 mm) x 4 in. (102 mm) x 6 in. (152 mm)
4027999	18-42 in. (457-1067 mm)	39 in. (991 mm) x 4 in. (102 mm) x 6 in. (152 mm)
4028101	24-55 in. (610-1397 mm)	53 in. (1346 mm) x 4 in. (102 mm) x 6 in. (152 mm)

ITEM # :	SHIPPING DIMENSIONS:	SHIPPING WEIGHT:
4026648	26 in. (660 mm) x 6.5 in. (165 mm) x 6 in. (152 mm)	5 lbs (2 kg)
4027999	44 in. (1118 mm) x 7.75 in. (197 mm) x 6 in. (152 mm)	5.5 lbs (2 kg)
4028101	73 in. (1854 mm) x 7.3 in. (185 mm) x 3.2 in. (81 mm)	5.75 lbs (3 kg)



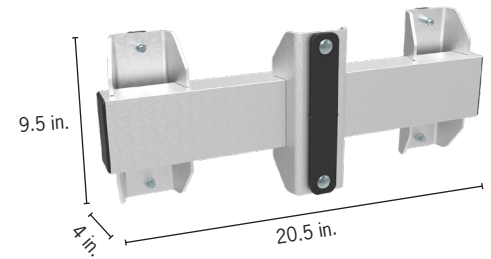
POWERMAST FREESTANDING TRI-MAST TIE - 4027602

The PowerMast freestanding tri-mast tie holds three masts together for rigid support between mast sections when used in conjunction with the freestanding base.

PRODUCT DIMENSIONS: 20.5 in. (521 mm) x 4 in. (102 mm) x 9.5 in. (241 mm)

SHIPPING DIMENSIONS: 21 in. (533 mm) x 4 in. (102 mm) x 10 in. (254 mm)

SHIPPING WEIGHT: 12 lbs (5 kg)



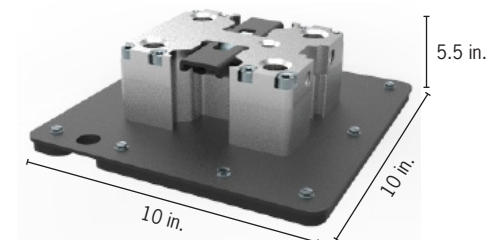
POWERMAST 10 IN. (254 MM) x 10 IN. (254 MM) BASE FOOT - 4026382

The PowerMast base foot uses the same tools-free quick connection as the masts and provides stable footing for the masts. This base features a heavy-duty rubber backing and can be anchored to the ground surface.

PRODUCT DIMENSIONS: 10 in. (254 mm) x 10 in. (254 mm) x 5.5 in. (140 mm)

SHIPPING DIMENSIONS: 11 in. (279 mm) x 11 in. (279 mm) x 4 in. (102 mm)

SHIPPING WEIGHT: 10 lbs (4 kg)



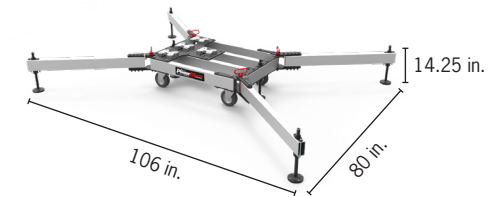
POWERMAST FREESTANDING BASE - 4026430

The PowerMast freestanding base allows three mast sections to be mounted as a rigid column, providing added stability without the need of wall support. This base features adjustable outriggers for easy positioning and is portable and useful in many situations.

PRODUCT DIMENSIONS: 106 in. (2692 mm) x 80 in. (2032 mm) x 14.25 in. (362 mm)

SHIPPING DIMENSIONS: 101 in. (2565 mm) x 75 in. (1905 mm) x 15 in. (381 mm)

SHIPPING WEIGHT: 267 lbs (121 kg)



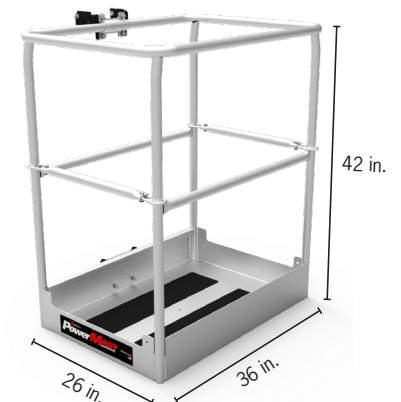
POWERMAST SINGLE PERSON PLATFORM - 4026795

The highly portable single person platform features a quick-attach design and can be used with the standard or freestanding PowerMast configuration. The platform fits one person, weighs just 35 pounds (16 kg), and can be entered from either side.

PRODUCT DIMENSIONS: 36 in. (914 mm) x 26 in. (660 mm) x 42 in. (1067 mm)

SHIPPING DIMENSIONS: 42 in. (1067 mm) x 38 in. (965 mm) x 47 in. (1194 mm)

SHIPPING WEIGHT: 60 lbs (27 kg)



POWERPOLE CLIMBING UNIT - 4028334

The lightweight, efficient PowerPole climbing unit enables the climbing capabilities of the PowerPole system. Powered by a 1/2-inch drill, the durable PowerTrak™ drive system has a 650-pound (295 kg) load rating and offers extreme performance in a compact package, providing all the capacity needed to lift workers, tools, and materials into position. Each climbing unit is equipped with a gearbox to power the unit and a drill brace to secure the drill. The system also includes the PowerLatch™ quick latch system to reconfigure the PowerPole for a variety of jobs. The PowerPole gearbox includes a safety locking lever and an integrated overspeed brake for added safety.

PRODUCT DIMENSIONS: 14.3 in. (362 mm) x 9.5 in. (241 mm) x 44 in. (1118 mm)

HIPPING DIMENSIONS: 18 in. (457 mm) x 10 in. (254 mm) x 53 in. (1346 mm)

SHIPPING WEIGHT: 49 lbs (22 kg)



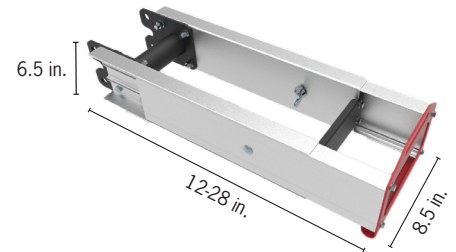
POWERPOLE PLATFORM SUPPORT WITH POWERLATCH™ CONNECTOR - 4022179

The platform support is used for dual mast configurations and is installed with the PowerLatch connector. With 16 inches (279 mm) of adjustment, the platform support is easily used with the PowerLatch assembly to accommodate a wide range of standard work platforms from 12 to 28 inches (305-711 mm). A universal platform tie chain is included.

PRODUCT DIMENSIONS: 12-28 in. (305-711 mm) x 8.5 in. (216 mm) x 6.5 in. (165 mm)

SHIPPING DIMENSIONS: 21 in. (533 mm) x 10 in. (254 mm) x 10 in. (254 mm)

SHIPPING WEIGHT: 16 lbs (7 kg)



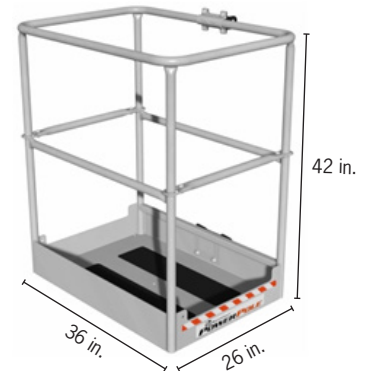
POWERPOLE SINGLE PERSON PLATFORM - 4022756

Choose the PowerPole single person platform for fast access. When used with the PowerPole outrigger base, you can set up a single mast in a few minutes and work at heights up to 40 feet (12.19 m) with no intermediate wall ties. Other configurations allow heights up to 75 feet (22.86 m). The platform features dual side entry and a large 36-inch (914 mm) wide x 26-inch (660 mm) deep work area, providing ample working space for you, your tools, and your equipment. The platform is highly portable and quickly attaches to the climbing unit via the PowerLatch™.

PRODUCT DIMENSIONS: 36 in. (914 mm) x 26 in. (660 mm) x 42 in. (1067 mm)

SHIPPING DIMENSIONS: 42 in. (1067 mm) x 38 in. (965 mm) x 47 in. (1194 mm)

SHIPPING WEIGHT: 60 lbs (27 kg)



POWERPOLE SPEEDRAIL MIDRAIL POST (2 PACK) - 4022785

The speedrail midrail posts attach to the workbench and mount to the walkboard securely with a chain. The posts are placed 8 feet (2.44 m) apart or less. Wooden 2x4s are then mounted to the midrail post to complete the midrail and toerail. The speedrail midrail posts feature a no-tools connection and fit stages from leading manufacturers.

PRODUCT DIMENSIONS: 9 in. (229 mm) x 5 in. (127 mm) x 42 in. (1067 mm)

SHIPPING DIMENSIONS: 10 in. (254 mm) x 5.25 in. (133 mm) x 48 in. (1219 mm)

SHIPPING WEIGHT: 17 lbs (8 kg)



POWERPOLE®

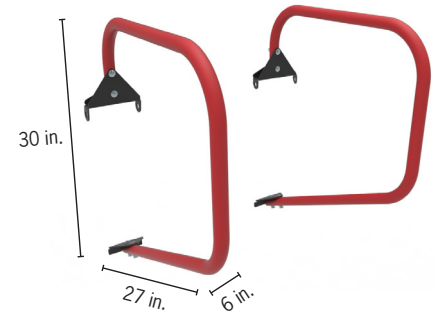
POWERPOLE SPEEDRAIL ENDRAIL (2 PACK) - 4022071

The speedrail endrails fasten to the climbing unit with the PowerLatch tool-free connection. They work with any stage in the PowerPole configuration.

PRODUCT DIMENSIONS: 27 in. (686 mm) x 6 in. (152 mm) x 30 in. (762 mm)

SHIPPING DIMENSIONS: 28.5 in. (724 mm) x 7 in. (178 mm) x 31.75 in. (806 mm)

SHIPPING WEIGHT: 11 lbs (5 kg)



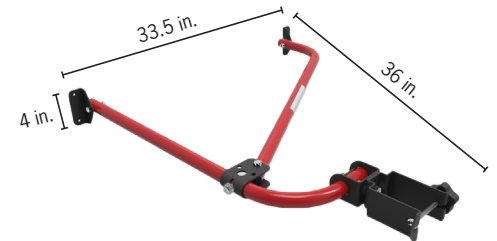
POWERPOLE STANDOFF TIE - 4022432

The lightweight, durable standoff tie accommodates most pitched rooflines, including valleys. It also makes a stable wall tie that will safely secure the PowerPole system to different types of buildings.

PRODUCT DIMENSIONS: 36 in. (914 mm) x 33.5 in. (851 mm) x 4 in. (102 mm)

SHIPPING DIMENSIONS: 48 in. (1219 mm) x 11.5 in. (292 mm) x 6 in. (152 mm)

SHIPPING WEIGHT: 12 lbs (5 kg)



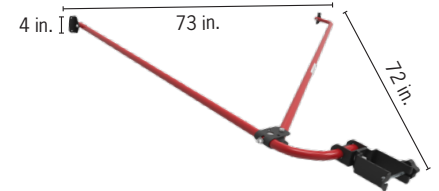
POWERPOLE SUPER STANDOFF TIE - 4022178

The versatile super standoff tie has extra-long tubes to allow roof access. By placing the platform at roof level, the PowerPole tilt-up system can serve as roofline fall protection.

PRODUCT DIMENSIONS: 72 in. (1829 mm) x 73 in. (1854 mm) x 4 in. (102 mm)

SHIPPING DIMENSIONS: 93 in. (2362 mm) x 10.8 in. (273 mm) x 3 in. (76 mm)

SHIPPING WEIGHT: 20 lbs (9 kg)



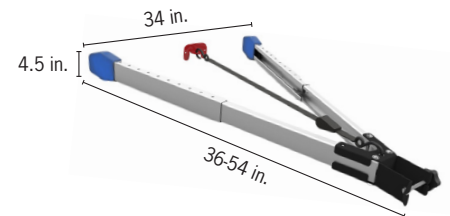
POWERPOLE EXTENDABLE V-BRACE - 4022629

This extendable v-brace allows you to extend an additional 18 inches (457 mm) by moving in 2-inch (51 mm) increments, creating a total wall distance of 51 inches (1295 mm) when fully extended. The extendable v-brace also folds for easy storage and comes standard with a 500-pound-rated (227 kg) ratchet strap and wall anchor plate.

PRODUCT DIMENSIONS: 36-54 in. (914-1372 mm) x 34 in. (864 mm) x 4.5 in. (114 mm)

SHIPPING DIMENSIONS: 43 in. (1092 mm) x 36 in. (914 mm) x 6 in. (152 mm)

SHIPPING WEIGHT: 14 lbs (6 kg)



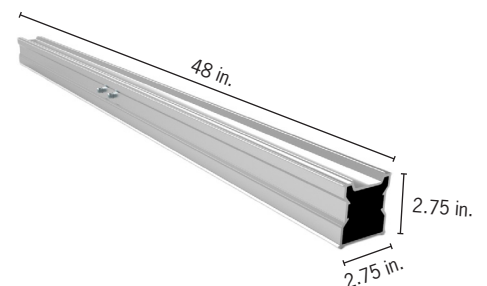
POWERPOLE 4 FT (1.22 M) POLE COUPLER - 4022096

This 4-foot (1.22 m) pole coupler is made with high-strength aluminum alloy. A PowerPole setup can be constructed using any combination of 6-foot (1.83 m) and 12-foot (3.66 m) poles. Use this 4-foot (1.22 m) pole coupler to connect the mast sections using built-in snap buttons. No tools required.

PRODUCT DIMENSIONS: 2.75 in. (70 mm) x 2.75 in. x 48 in. (1219 mm)

SHIPPING DIMENSIONS: 4.5 in. (114 mm) x 4 in. (102 mm) x 48 in. (1219 mm)

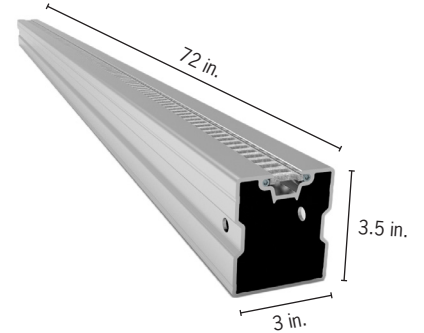
SHIPPING WEIGHT: 10 lbs (4 kg)



POWERPOLE 6 FT (1.83 M) POLE SECTION - 4022435

This 6-foot (1.83 m) pole section is made with high-strength aluminum alloy and features a galvanized, replaceable steel track. A PowerPole setup can be constructed using any combination of 6-foot (1.83 m) and 12-foot (3.66 m) sections. Using 6-foot (1.83 m) pole sections allows for more compact transport and storage, but increases the number of couplers required.

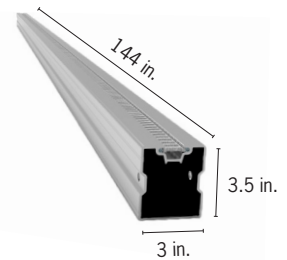
- PRODUCT DIMENSIONS:** 3 in. (76 mm) x 3.5 in. (89 mm) x 72 in. (1829 mm)
- SHIPPING DIMENSIONS:** 3 in. (76 mm) x 3.5 in. (89 mm) x 72 in. (1829 mm)
- SHIPPING WEIGHT:** 18 lbs (8 kg)



POWERPOLE 12 FT (3.66 M) POLE SECTION - 4022084

This 12-foot pole section is made with high-strength aluminum alloy and features a galvanized, replaceable steel track. A PowerPole setup can be constructed using any combination of 6-foot (1.83 m) and 12-foot (3.7 m) poles. Using 12-foot (3.66 m) pole sections will decrease the number of couplers required, creating a lighter assembly.

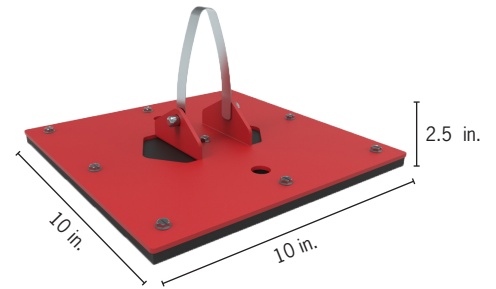
- PRODUCT DIMENSIONS:** 3 in. (76 mm) x 3.5 in. (89 mm) x 144 in. (3658 mm)
- SHIPPING DIMENSIONS:** 3 in. (76 mm) x 3.5 in. (89 mm) x 144 in. (3658 mm)
- SHIPPING WEIGHT:** 35 lbs (16 kg)



POWERPOLE 10 IN. (254 MM) x 10 IN. (254 MM) BASE FOOT - 4022465

The base foot attaches to the bottom of the base mast section. The belted rubber backing is durable and provides protection and solid footing. The large area lowers the ground pressure for earthen surfaces. Each foot has two holes for pinning to the ground or larger sill plate. Pinning to the ground surface may not be required if secured by alternate means. Refer to the user manual for specific setup requirements.

- PRODUCT DIMENSIONS:** 10 in. (254 mm) x 10 in. (254 mm) x 2.5 in. (64 mm)
- SHIPPING DIMENSIONS:** 10 in. (254 mm) x 10 in. (254 mm) x 2.5 in. (64 mm)
- SHIPPING WEIGHT:** 6 lbs (3 kg)



POWERPOLE OUTRIGGER BASE - 4022791

The PowerPole outrigger base makes setting up and moving around a jobsite fast and easy. The rugged steel stabilizers keep you pressed into the wall, allowing a 24-foot (7.32 m) work height without tying into the structure. Each side of the outrigger base has a stabilizer that adjusts 8 inches (203 mm) to level the system. The assembly clamps onto the mast by hand and can be removed and folded for compact transport to the next jobsite.

- PRODUCT DIMENSIONS:** 58 in. (1473 mm) x 37 in. (940 mm) x 14.5 in. (368 mm)
- SHIPPING DIMENSIONS:** 48 in. (1219 mm) x 17 in. (432 mm) x 10.5 in. (267 mm)
- SHIPPING WEIGHT:** 56 lbs (25 kg)

